

Amana

Bottom Freezer Refrigerator Owner's Manual

English	2
Español	21
Français	41

Keep these instructions for future reference. Be sure this manual stays with refrigerator.

Contents

Electrical Requirements	2
Model Identification	2
Service	2
Asure™ Extended Service Plan	2
Proper Disposal of your Refrigerator	3
Cutout Dimensions	3
Installation Instructions	3
Door Reversal (Contour door models)	3
Door Reversal (Front-mounted handle)	3
Door Reversal (Side-mounted handle)	5
Install Decorator Panels	7
Connect Ice Maker Water Supply Line (some models)	8
Leveling Refrigerator	9
Installation Checklist	10
Controls	11
Fresh Food and Deepfreeze® Controls	11
Setting Controls	11
Fresh Food Features	11
Spillsaver™ Shelves	11
Deli Port™	11
Drawers	12
Covered Storage Bucket	12
Dairy Centers	12
Door Buckets	12
Door Shelf	13
Adjustable Dividers	13
Tall Package Retainer	13
Deepfreeze® Features	13
Automatic Ice Maker(some models)	13
Ice Service Rack(some models)	13
Slideout Shelf(some models)	14
Vertical Shelf Divider(some models)	14
Pivot Bin™	14
Care and Cleaning	14
General	14
Odor Removal	14
Adhesives	15
Door Gaskets	15
Condenser Coils	15
Glass Shelves	15
Light Bulbs	15
Energy Tips	15
Vacation Tips	16
Normal Operating Sounds	16
Before Calling For Service	17
Warranty	19

Note: Translation may sometimes cause variations in meaning. In all cases where meaning varies, the most accurate meaning will be the English version of this document.



Recognize this symbol as a safety precaution.

Electrical Requirements

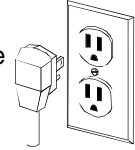


WARNING

To avoid electrical shock which could cause severe personal injury or death:

- Do not cut or remove grounding prong from plug.
- **Do not use a two-prong adapter.**
- **Do not use an extension cord.**
- Do not remove warning tag from power cord.
- Follow all grounding and connection instructions.

This refrigerator is equipped with a three-prong (grounding) plug for protection against possible shock hazards. If a two-prong wall receptacle is encountered, contact a qualified electrician and have the two-prong wall receptacle replaced with a properly grounded three-prong wall receptacle in accordance with the National Electrical Code.



Refrigerator is designed to operate on a separate 103 to 126 volt, 15 amp., 60 cycle line.

Model Identification

Thank you for purchasing this Amana® refrigerator. Please read this Owner's Manual thoroughly. This manual provides proper maintenance information. Any questions, call the Consumer Affairs Department at **1-800-843-0304** inside U.S.A. and **1-319-622-5511** outside U.S.A., or contact us on the internet at **www.amana.com**.

Complete registration card and promptly return. If registration card is missing, call the Consumer Affairs Department.

When contacting Amana Appliances, provide product information. Product information is on the serial plate, located on the ceiling of refrigerator section. Record the following information:

Model Number: _____

Manufacturing Number: _____

S/N or Serial Number: _____

Date of purchase: _____

Dealer's name and address: _____

Service

Keep a copy of sales receipt for future reference or in case warranty service is required. Any questions or to locate an authorized servicer, call 1-800-NAT-LSVC (1-800-628-5782) inside U.S.A. 319-622-5511 outside U.S.A., or contact us on the internet at **www.amana.com**.

Warranty service must be performed by an authorized servicer. Amana, also recommends contacting an authorized servicer if service is required after warranty expires.

Note About Contour Door Reversal:

Only a qualified servicer can reverse this door. To have doors reversed, please call **1-800-843-0304**. There is a fee charged for this service.

Asure™ Extended Service Plan

Amana offers long-term service protection for this new refrigerator. Asure™ Extended Service Plan is specially designed to supplement Amana's strong warranty. This plan covers parts, labor, and travel charges.

For more information visit our web site:

www.amana.com



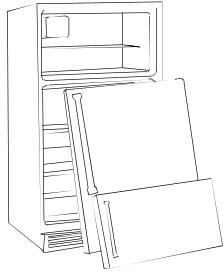
DANGER

Proper Disposal of your Refrigerator

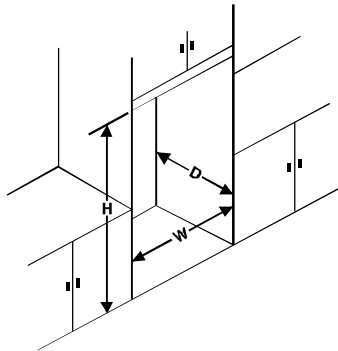
IMPORTANT: Child entrapment and suffocation are not problems of the past. Junked or abandoned refrigerators are still dangerous—even if they sit for "just a few days". If you are getting rid of your old refrigerator, please follow the instructions below to help prevent accidents.

BEFORE YOU THROW AWAY YOUR OLD REFRIGERATOR OR FREEZER:

- Take off the doors.
- Leave the shelves in place so children may not easily climb inside.



Cutout Dimensions



	Single Installation
H	<ul style="list-style-type: none"> • 69" with 12" deep cabinets above refrigerator. • 70" with 24" deep cabinets above refrigerator.
W	36"
D	24"

Installation Instructions

Proper installation will ensure that this refrigerator operates most efficiently. Amana cannot be responsible for improper installation.

Tools Required

- $\frac{5}{16}$ " hex nut driver
- $\frac{3}{8}$ " hex nut driver
- $\frac{1}{4}$ " hex nut driver
- Phillips screwdriver
- Blade screwdriver
- Putty knife (blade covered by masking tape)

IMPORTANT:

- Save all screws for reuse.
- For plug removal requiring use of flat blade screwdriver or putty knife, **blade of tool must be covered with masking tape to avoid damage to refrigerator finish.** For plugs using a screwdriver or nut driver style head, use appropriate tool to avoid damage to plugs.



CAUTION

To avoid personal injury or property damage caused by refrigerator tipping, stabilizing leg must be firmly against floor.

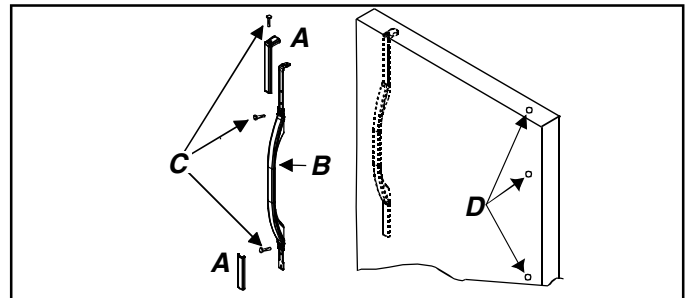
Door Reversal (Contour door model)

Only a qualified servicer can reverse this door. To have doors reversed, please call **1-800-843-0304**. There is a fee charged for this service.

Door Reversal (Front mounted handle)

Some installations may require door reversal to achieve full door swing. To reverse door swing direction perform the following steps.

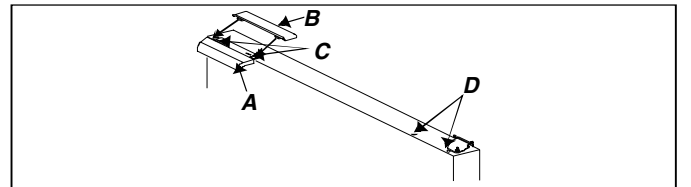
1. Remove refrigerator handle:
 - Remove handle screw from top handle trim. Pry up edge of handle trim using a putty knife with the blade covered with masking tape. Remove handle from door by removing 1 remaining mounting screw at each end of handle.
 - Remove 1 plug from top hinge side of door and 2 from front hinge side of door. Transfer plugs to opposite side of door to fill empty mounting holes.



A Handle trim
B Handle

C Screws
D Plugs

2. Remove freezer door handle:
 - Open freezer door 90°. Locate two notches on back of freezer handle. Insert flat screwdriver blade or putty knife blade wrapped in masking tape. Pry up back edge of handle cap and remove from handle.
 - Remove handle from door by removing two mounting screws.
 - Remove 2 plugs from hinge side of freezer door and transfer to opposite side to fill holes left from handle removal.

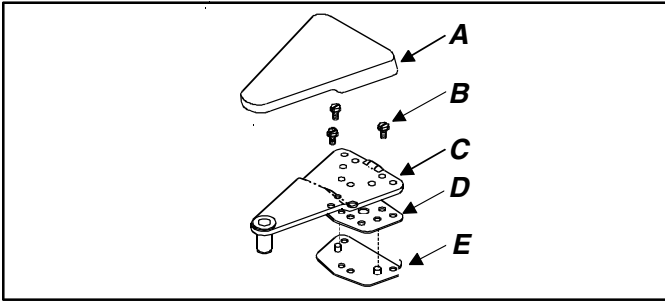


A Handle
B Handle cap

C Screws
D Plug

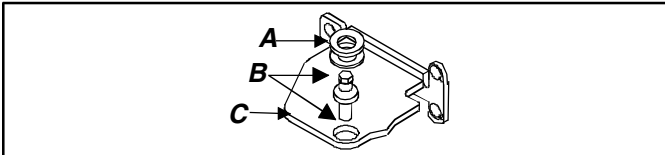
3. Remove doors:

- Remove top hinge cover. Top hinge cover snaps off. While supporting refrigerator door, remove top hinge and hinge shim using $\frac{5}{16}$ " hex nut driver. Peel positive positioning shim from cabinet. Remove and retain all shims.
- Keep adhesive surface of shim free of dirt and dust until ready to replace during top hinge reversal. Contamination of adhesive surface will prevent proper reinstallation.



A Top hinge cover
B $\frac{5}{16}$ " hex nut screws
C Top hinge
D Hinge shim
E Positive positioning shim

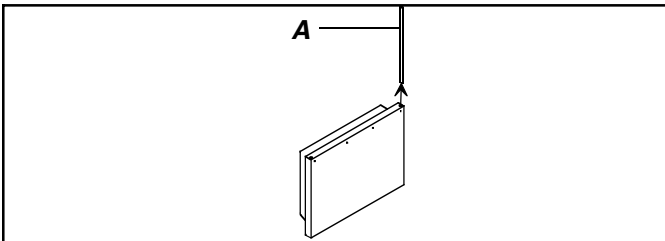
- Remove refrigerator door by lifting door off center hinge pin. Inspect door to verify all shims are with pin assembly.
- Remove center hinge pin using $\frac{1}{4}$ " hex nut driver. Due to tight fit of pin, firm pressure may need to be applied. Remove and retain all washer shims.
- Remove freezer door by lifting door off bottom hinge pin.



A Washer shims
B Center hinge pin
C Center hinge

4. Remove internal support rod (some models):

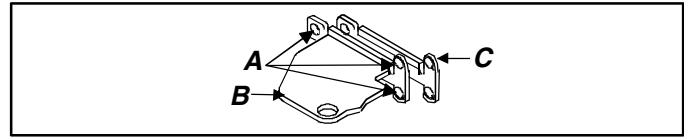
- Some models have an internal support rod (see below) installed in the hinge socket of door. If present, remove and retain for later replacement.



A Support rod (some models)

5. Reverse center hinge:

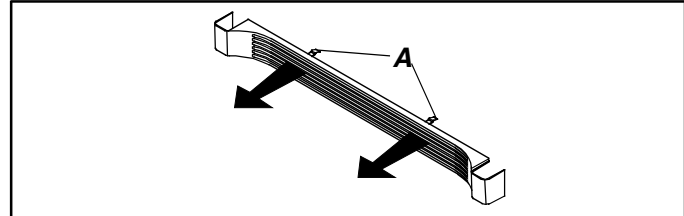
- Remove center hinge bracket and shims by removing screws using a Phillips screwdriver.
- Remove 3 screws opposite of center hinge and transfer to opposite side of cabinet.
- Install bracket on opposite side of cabinet with shims.



A Phillips screws
B Center hinge
C Center hinge shim

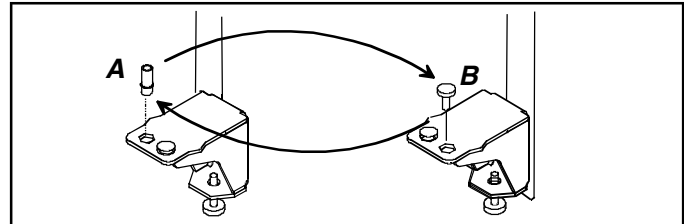
6. Reverse bottom hinge pin:

- Remove toe grille by grasping both ends and pulling straight out from unit. Grille snaps free.



A Toe grille

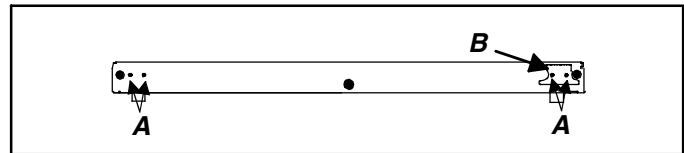
- Exchange hinge pin from bottom hinge assembly with outward hinge plug from opposite bottom hinge assembly.



A Hinge pin
B Hinge plug

7. Reverse door stops:

- Locate door stop at bottom edge of refrigerator door. Unscrew two Phillips screws to remove door stop. Remove the two Phillips screws on opposite edge of door. Mount door stop on opposite side. Replace remaining screws in empty mounting holes.
- Repeat the above instructions to reverse door stop on freezer door.

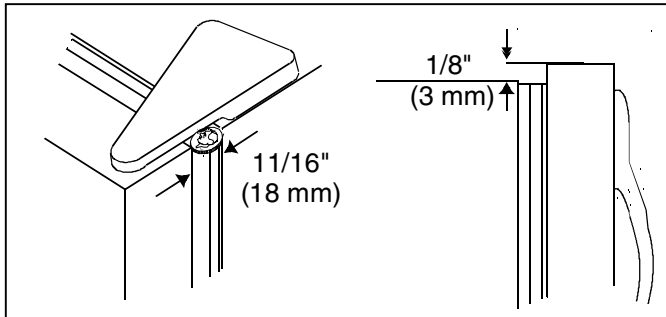


A Screws
B Door stop

8. Replace doors:

- Rehang freezer door by setting freezer door hinge hole on bottom hinge pin.
- While supporting freezer door, insert internal support rod into hinge socket, and install center hinge pin into the center hinge bracket.
- Tighten down center hinge pin with a $\frac{1}{4}$ " hex nut driver to hold door in place. Make sure fit is snug.
- Locate 3 plugs at top of cabinet. Transfer plugs to holes left by hinge removal.
- Assemble top hinge, hinge shim(s), and positioning shim together. Attach loosely to opposite side of cabinet to allow for door clearance.

- Set refrigerator door on center hinge pin.
- While supporting refrigerator door, use a dime to space door $1\frac{1}{16}$ " (18 mm) from cabinet. Use plastic shims behind center hinge to provide more space if required.
- Handle side of door should be approximately $\frac{1}{8}$ " (3 mm) higher than hinge side of door. **Door will become level when it is loaded with food.**
- Tighten all top hinge screws to secure refrigerator door. Snap on hinge cover.



9. Reinstall handles:

- Mount refrigerator handle on opposite side of door using mounting screws removed in previous step.
- Snap handle trim into place and replace screw.
- Mount freezer handle to opposite side of door using mounting screws removed in previous step.
- Angle front edge of handle cap downward toward back lip of freezer handle. Verify bottom tab on freezer cap slides under rear lip of freezer handle. Snap rear edge of handle cap in place.

10. Check unit for proper leveling following instructions in section titled *Leveling Refrigerator*, starting with step three.

Door Reversal (Side mounted handles)*

*Non contour doors only

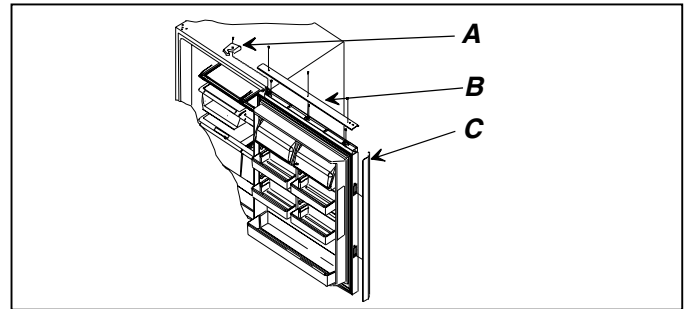
Tools Required

- #1 & #2 Phillips Head Screw Driver
- Flat blade screwdriver
- Rubber mallet
- $\frac{1}{4}$ " hex nut driver
- $\frac{3}{8}$ " hex nut driver
- $\frac{5}{8}$ " hex nut driver
- $\frac{9}{16}$ " hex nut driver
- $\frac{9}{32}$ " hex nut driver

IMPORTANT:

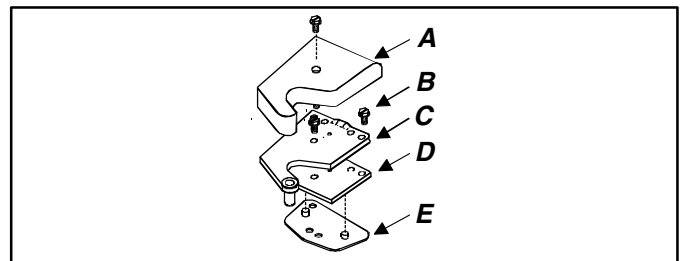
- Keep all discarded parts with literature assembly.
- Save all screws for reuse.
- For plug removal requiring use of flat blade screwdriver or putty knife, **blade of tool must be covered with masking tape to avoid damage to refrigerator finish.** For plugs using a screwdriver or nut driver style head, use appropriate tool to avoid damage to plugs.

1. Remove top refrigerator door cap and hinge cover:
 - Remove 3 Phillips screws to release top door cap.



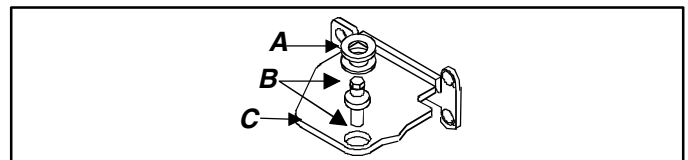
A Hinge cover
B Top door cap
C Handle

- Remove hinge cover by unscrewing one Phillips screw.
2. Remove doors:
 - Use $\frac{5}{16}$ " hex nut driver to remove top hinge screws. Peel positive positioning shim from cabinet. Remove and retain all shims.
 - Keep adhesive surface of shim free of dirt and dust until ready to replace during top hinge reversal. Contamination of adhesive surface will prevent proper reinstallation.



A Hinge cover
B $\frac{5}{16}$ " hex nut screws
C Top hinge
D Top hinge shim
E Positive positioning shim

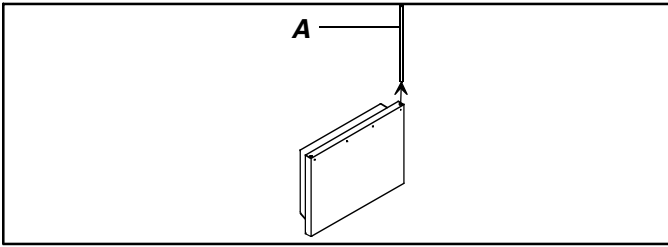
- Remove refrigerator door by lifting door off center hinge pin. Inspect door to verify all shims are with pin assembly.
- Remove center hinge pin using $\frac{1}{4}$ " hex nut driver. Due to tight fit of pin, firm pressure may need to be applied. Remove and retain all washer shims.



A Washer shims
B Center hinge pin
C Center hinge

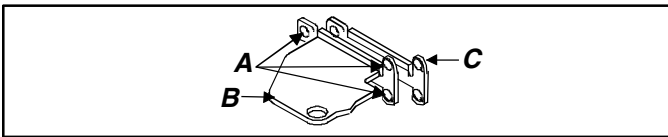
- Remove freezer door by lifting door off bottom hinge pin.

- Some models have an internal support rod (see below) installed in the hinge socket of door. If present, remove and retain for later replacement.



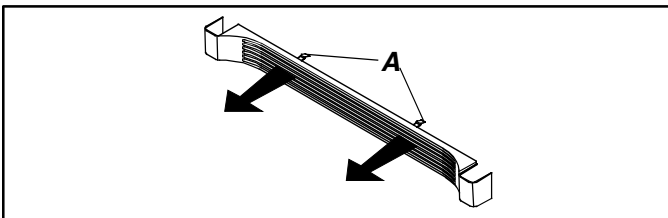
A Support rod (some models)

- Reverse center hinge:
 - Remove center hinge bracket and shims by removing screws using a Phillips screwdriver.
 - Remove 3 screws opposite of center hinge and transfer to opposite side of cabinet.
 - Install bracket on opposite side of cabinet with shims.



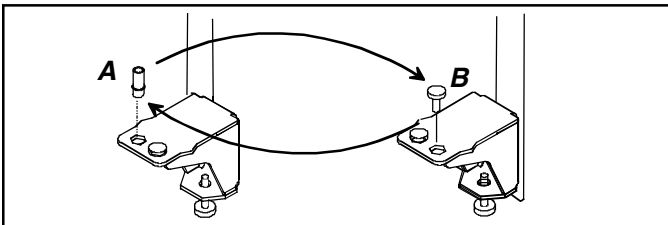
A Phillips screws
B Center hinge
C Center hinge shim

- Reverse bottom hinge pin:
 - Remove toe grille by grasping both ends and pulling straight out from unit. Grille snaps free.



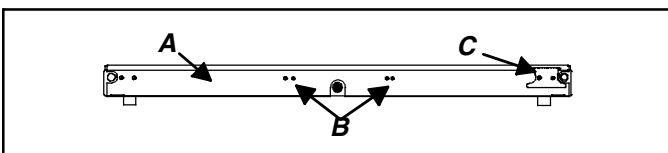
A Toe grille

- Exchange hinge pin from bottom hinge assembly with outward hinge plug from opposite bottom hinge assembly.



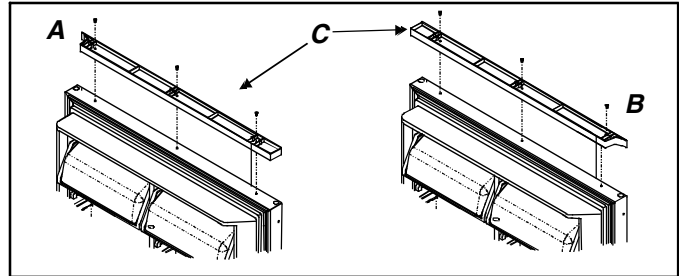
A Hinge pin
B Hinge plug

- Remove door stops and reverse door extensions:
 - Locate door stop and bottom of refrigerator door and freezer door. Remove with Phillips screwdriver.



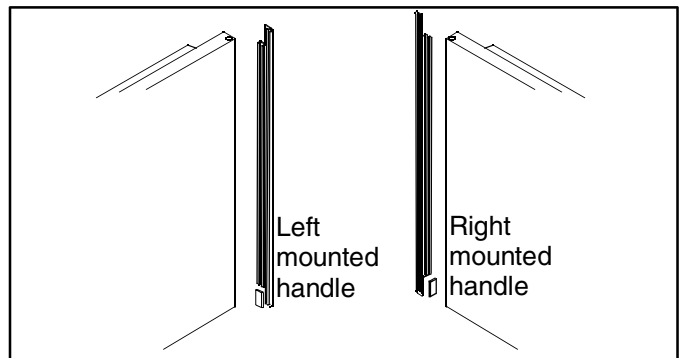
A Bottom door cap
B Screws
C Door stop

- Unscrew door extension on top of door with Phillips screw driver. Flip door extension so notched corner turns in toward interior of door. Reinstall with screws.



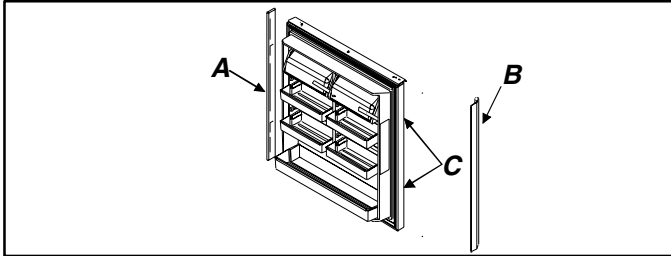
A Before
B After
C Door extension

- Reverse handles and trim:
 - Remove screws from bottom door cap of refrigerator and freezer door with screwdriver.
 - Using a soft rubber mallet, tap bottom of handle upward toward top of door. Handle will slide up approximately $\frac{3}{4}$ " and release from door.
 - Using a soft rubber mallet, tap bottom of door hinge trim upward toward top of door. Trim will slide up approximately $\frac{3}{4}$ " and release from door.
 - Remove plastic tab on top of trim*. Return tab to literature assembly. Locate alternate tab piece in literature assembly and place this in notch at opposite end of trim.
- * In stainless steel models plastic tab is not required. Replace trim with alternate trim shipped with unit.



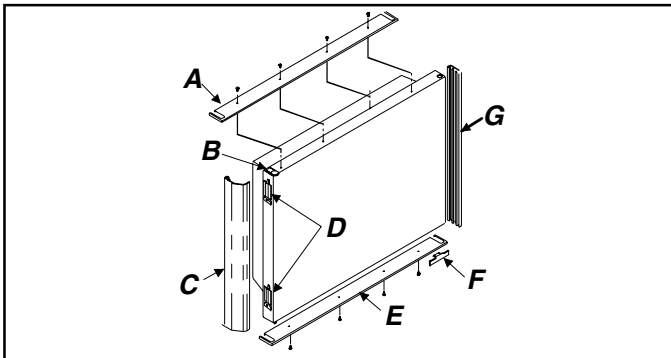
- Replace bottom door cap.
- Attach door stop under the hinge side of the door using Phillips screws.
- Install hinge trim by locating notches on the inside of trim (make sure plastic tab insert is facing bottom of door). Align notches of trim with metal mounting tabs on opposite side of door. Slide trim down until piece locks into place. Tap top of trim with rubber mallet to insure snug fit.

- Reinstall handle on opposite side locating notches on inside of handle trim. Slide handle down until handle locks into place. Tap top of handle with rubber mallet to insure snug fit. End of trim should be flush with top of door.



A Trim
B Refrigerator handle
C Mounting tabs

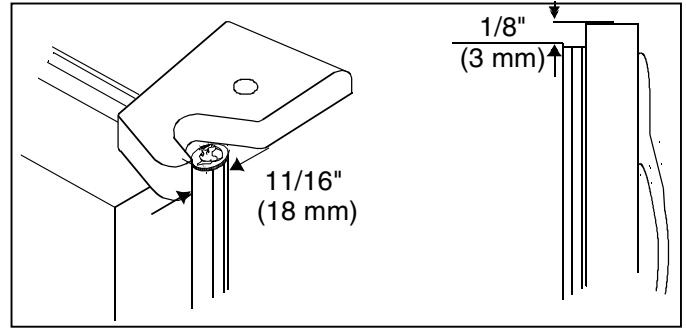
- Fasten top door cap securely over top of door by replacing screws.
- Remove top door cap of freezer from top of freezer door with screwdriver.
- Transfer hinge socket plug on top of freezer door to opposite hinge socket.
- To reverse freezer handle and trim, follow step 5.
- Note:** Freezer trim does not have plastic tab or alternate trim for stainless steel models.
- Replace top door cap with screwdriver.



A Top door cap
B Hinge socket plug
C Handle
D Mounting tabs
E Bottom door cap
F Door stop
G Trim

7. Replace doors:
- Rehang freezer door by setting freezer door hinge socket on bottom hinge pin.
 - While supporting freezer door, insert internal support rod into hinge socket, and install center hinge pin into the center hinge bracket.
 - Tighten down center hinge pin with a 1/4" hex nut driver to hold door in place. Make sure fit is snug.
 - Locate 3 plugs at top of cabinet. Transfer plugs to holes left by hinge removal.
 - Locate new top hinge found in literature assembly. Assemble top hinge, hinge shim(s), and positioning shim together. Attach loosely to opposite side of cabinet to allow for door clearance.
 - Set refrigerator door on center hinge pin.

- While supporting refrigerator door, use a dime to space door 11/16" (18 mm) from cabinet. Use plastic shims behind center hinge to provide more space if required.
- Handle side of door should be approximately 1/8" (3 mm) higher than hinge side of door. **Door will become level when it is loaded with food.**
- Tighten all top hinge screws to secure refrigerator door. Snap on hinge cover.



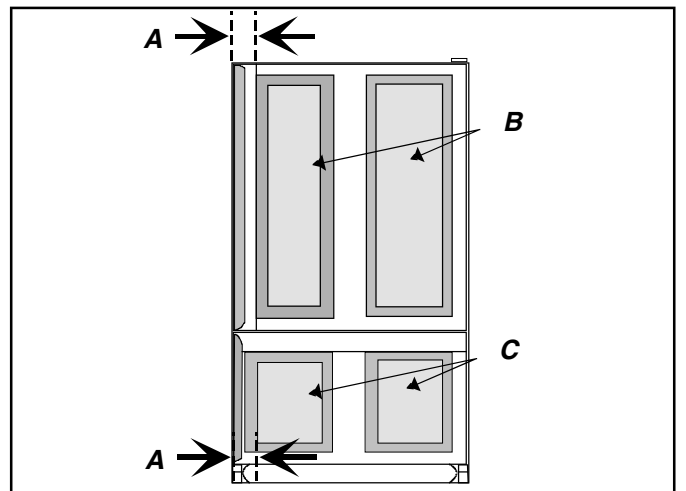
8. Check unit for proper leveling following instructions in section titled *Leveling Refrigerator*, starting with step three.

Install Decorator Panels (some models)

WARNING

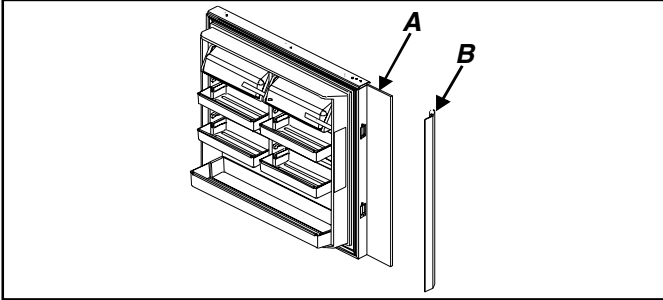
To avoid personal injury or property damage, fresh food panel should not weigh more than 30 lbs (14 kgs) and freezer panel should not weigh more than 15 lbs (7 kgs).

If raised panels are used, allow 2 1/2" minimum clearance between raised edge of panel and refrigerator handle.



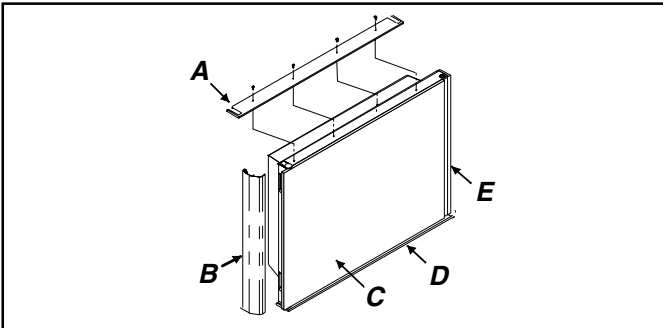
A 2 1/2" clearance from raised panel edge to edge of door.
B Raised panel—41" x 35 5/8" (104 cm x 90.5 cm)
C Raise panel—23 11/16" x 35 5/8" (60.2 cm x 90.5 cm)

1. Remove top door cap and handle of refrigerator door. Slide panel into groove provided by bottom door cap. When replacing handle, press panel flat against door and slide handle down so that overlapping edge of handle slides over panel to secure it. Replace door cap.



A Refrigerator door panel B Refrigerator handle

2. Open door 90° and unscrew freezer top door cap. Close door. Slide trim forward until free from door. Open door. Remove door handle per step 5.
3. Slide panel into groove provided by bottom door cap. When replacing handle, press panel flat against door and slide handle down so that overlapping edge of handle slides over panel to secure it. Replace door cap and screws.



A Top door cap D Bottom door cap
B Handle E Trim
C Panel

4. Review *Installation Checklist*.

Connect Ice Maker Water Supply Line (some models)

WARNING

To avoid electrical shock which can cause severe personal injury or death, disconnect power to refrigerator before connecting water supply. After connecting water supply, connect power.

CAUTION

- Observe the following to avoid property damage:
- Make sure water pressure to water valve is between 20 and 100 pounds per square inch.
 - Tighten adapter fitting and nuts with pliers and wrenches. Do not overtighten.
 - Check for water leaks and correct if necessary before returning refrigerator to normal location. After 24 hours check again for leaks.

Important

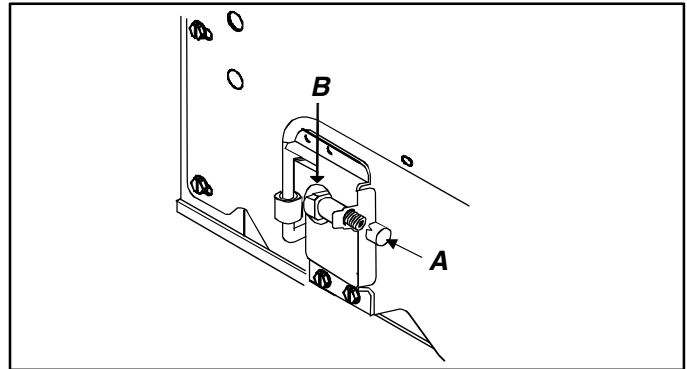
- Before connecting water supply, contact a plumber to connect copper tubing to household plumbing in compliance with local codes and ordinances.
- Amana does not recommend using a self-piercing, or $\frac{3}{16}$ " saddle valves! Both reduce water flow, become plugged with sediment over time and may cause leaks if repair is attempted. The correct type of shut-off valve requires a $\frac{1}{4}$ " hole to be drilled in the water supply pipe prior to valve attachment. Amana is not responsible for property damage caused by improper water connection.

Materials Required

$\frac{1}{4}$ " O.D. (6 mm) flexible copper tubing is required. Length of copper tubing must reach from water supply connection to water valve inlet port on back of refrigerator, plus additional 8'(2 m) of tubing for a service loop. A service loop will allow refrigerator to be pulled away from the wall without disconnecting tubing.

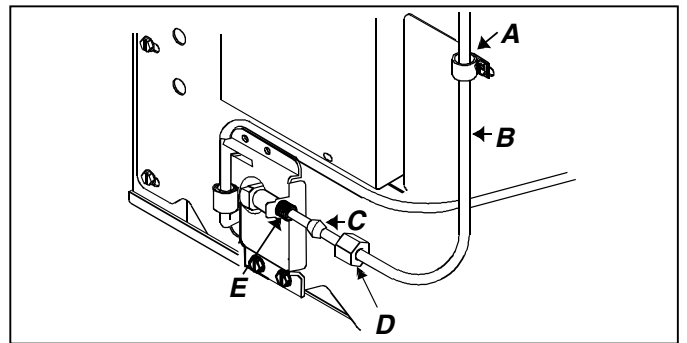
Procedure

1. Remove plastic cap from water valve inlet port.



A Plastic cap B Water valve inlet port

2. Place brass nut and brass sleeve on copper tubing. (Brass nut and sleeve are found in your literature packet.) Insert copper tubing into water valve inlet port. Connect brass nut on copper tubing to water valve inlet port. Make sure copper tubing is secure by pulling on copper tubing.



A "P" clamp D Brass nut
B Copper tubing E Water valve inlet port
C Brass sleeve

3. Turn on water supply to refrigerator and check for leaks. Correct any leaks at connection. Be careful not to overtighten connection.
4. Create a service loop using extreme care to avoid kinks. Secure copper tubing to refrigerator cabinet with a "P" clamp.



CAUTION

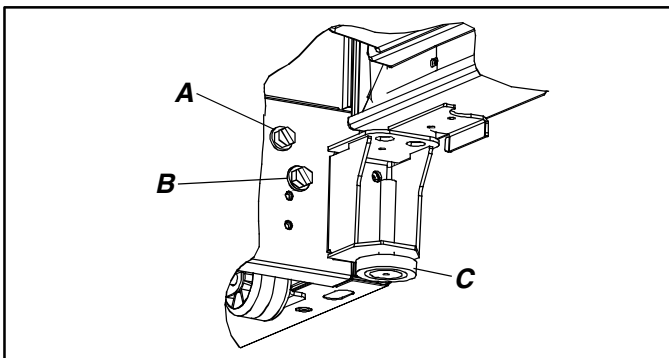
To avoid property damage, protect soft vinyl or other flooring with cardboard, rugs, or other protective material when moving refrigerator.

Leveling Refrigerator

Some installation may require door reversal to achieve full door swing. If so proceed to *Door Reversal* section before leveling your refrigerator.

If your refrigerator requires ice maker water supply connection, proceed to *Connect Ice Maker Water Supply* section before leveling refrigerator.

1. Plug in power cord.
2. Move refrigerator into final location.
3. Level refrigerator using a level placed on top of the refrigerator.
 - Remove toe grille by grasping both ends and pulling straight out from unit. Grille snaps free.
 - The left and right corners of front cabinet base each contain 2 screws to allow individual adjustment of all four corners. Adjust the front and rear of each corner until leveling is complete.
 - Turn roller adjustment screws to the right to raise cabinet, or to the left to lower cabinet. Front of refrigerator must be $\frac{1}{4}$ " (6 mm), or $\frac{1}{2}$ bubble on your level, higher than the back of your refrigerator.
 - After leveling, turn stabilizing leg (some models) clockwise until firmly against floor.



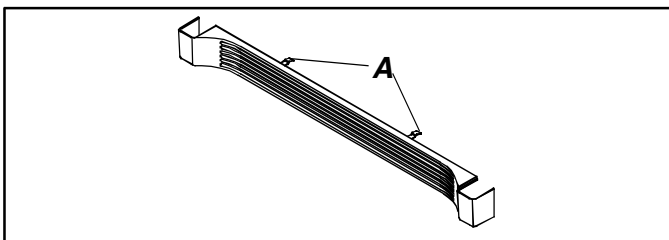
A Rear roller adjustment

B Front roller adjustment

C Stabilizing leg*

*some models

- Locate metal clips mounted to inside of toe grille assembly. Hook bottom set of clips inside metal molding beneath freezer. Press forward on upper part of grille until top portion snaps into place.



A Metal clips

Installation Checklist

This checklist is for personal records only.

Consumer	Installer	
----------	-----------	--

<input type="checkbox"/>	<input type="checkbox"/>	
--------------------------	--------------------------	--

<input type="checkbox"/>	<input type="checkbox"/>	
--------------------------	--------------------------	--

<input type="checkbox"/>	<input type="checkbox"/>	
--------------------------	--------------------------	--

<input type="checkbox"/>	<input type="checkbox"/>	
--------------------------	--------------------------	--

<input type="checkbox"/>	<input type="checkbox"/>	
--------------------------	--------------------------	--

<input type="checkbox"/>	<input type="checkbox"/>	
--------------------------	--------------------------	--

<input type="checkbox"/>	<input type="checkbox"/>	
--------------------------	--------------------------	--

<input type="checkbox"/>	<input type="checkbox"/>	
--------------------------	--------------------------	--

<input type="checkbox"/>	<input type="checkbox"/>	
--------------------------	--------------------------	--

<input type="checkbox"/>	<input type="checkbox"/>	
--------------------------	--------------------------	--

Doors

Handles are solidly attached to doors.

Handle side of door is 1/8" (3 mm) higher than hinge side of door. (Door lowers when loaded with food.)

Doors seal completely to refrigerator cabinet.

Leveling

Refrigerator is tilted 1/4" (6 mm) from front to rear.

Stabilizing legs are against floor.

Toe grille is properly attached to refrigerator.

Ice Maker (some models)

Water supply to refrigerator is turned on.

Water leaks are not present at connection between household water supply and refrigerator. (After 24 hours, consumer should check connection for water leaks.)

Ice maker arm is down for ice production. (It may take up to 24 hours for first harvest of ice.)

Product Literature

Owner's manual is reviewed including the following information:

- product registration card
- Fresh Food and Deepfreeze® controls
- humidity controlled crisper drawer
- temperature controlled drawer
- normal operating sounds

Notes _____

Consumer's Signature

Installer's Signature

Installer's Company Name/Phone Number

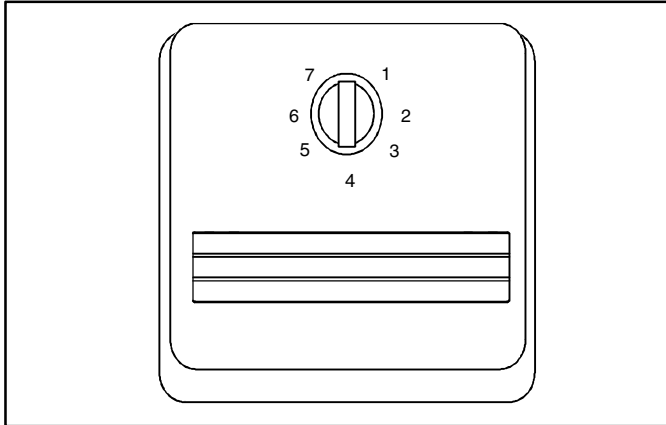
Date

Controls

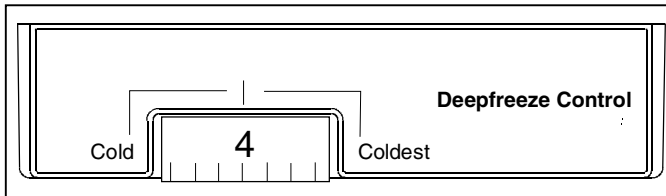
This refrigerator operates most efficiently in normal household temperatures of 55° to 110°F (13°C to 43°C).

Fresh Food and Deepfreeze® Controls

Fresh Food control is located on upper rear wall of Fresh Food section.



Deepfreeze® control is located on right front ceiling of Deepfreeze® section.



When Deepfreeze® control is set to *OFF*, neither Fresh Food nor Deepfreeze® sections will cool. Initially, set both controls to 4. Wait 24 hours for Fresh Food and Deepfreeze® sections to reach desired temperatures. After 24 hours, adjust controls, one number at a time, as desired. 1 is warmest setting and 7 is coldest.

Setting Controls

Set controls precisely using a household thermometer that includes temperatures between -5° to 50°F (-21° to 10°C).

Put thermometer snugly between frozen packages in Deepfreeze® section. Wait 5–8 hours. If Deepfreeze® temperature is not 0° to 2°F (-17° to -16°C), adjust control, one number at a time. Check again after 5–8 hours.

Put thermometer in a glass of water in middle of Fresh Food section. Wait 5–8 hours. If Fresh Food temperature is not 38° to 40°F (3° to 4°C), adjust control, one number at a time. Check again after 5–8 hours.

Fresh Food Features



CAUTION

To avoid property damage, confirm shelf is secure before placing items on shelf.

Spillsaver™ Shelves

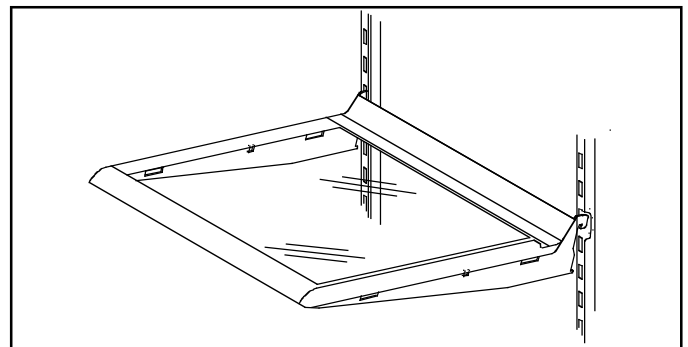
Spillsaver™ shelves adjust to meet individual storage needs and hold simple spills for easier cleaning.



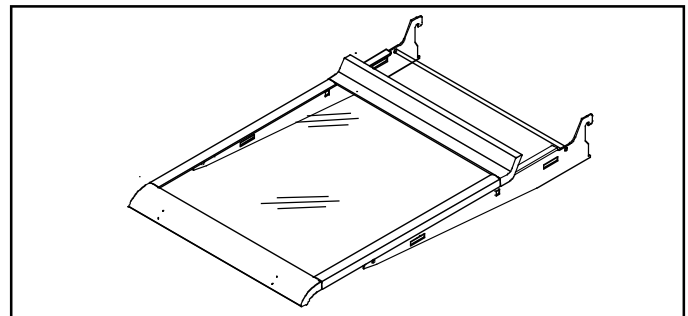
CAUTION

To avoid personal injury or property damage, handle tempered glass shelves carefully. Shelves may break suddenly if nicked, scratched, or exposed to sudden temperature change.

- Remove shelves by lifting front, releasing hooks from metal track then pulling out.
- Replace shelves by inserting hooks into metal track and lowering front.



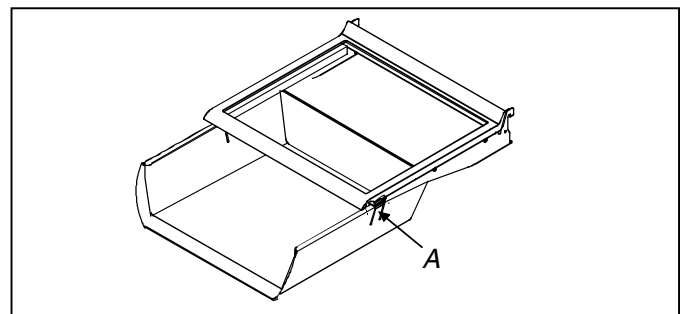
EasyGlide™ shelves pull forward for easy access of items in back.



Deli Port™

Deli Port™ provides space saving storage underneath Spillsaver™ shelf and pulls forward for easy access.

- Remove shelf by pulling forward until shelf stops. Push tabs on sides of shelf in and pull shelf forward.
- Replace shelf by inserting shelf into track and sliding back.



A Tab

Drawers

Humidity Controlled Crisper Drawer

The right drawer is humidity controlled. This drawer keeps produce fresh longer. Wrap produce tightly. Do not wash produce before placing in drawer. Excess moisture could cause produce to spoil prematurely. Do not line drawer with paper towels. Paper towels will retain moisture. Humidity control is located below front shelf trim. Control adjusts humidity in drawer. Slide control to right for produce with leaves such as lettuce, spinach or cabbage. Slide control to left for produce with skins such as cauliflower, corn or tomatoes.

Temperature Controlled Drawer

The left drawer is temperature controlled. This drawer keeps food fresh longer and up to 5°F (3°C) colder than Fresh Food temperature. Use this drawer for deli storage or additional produce storage.

Temperature control is located below front shelf trim. Control adjusts amount of air circulating around drawer. Slide control left for normal Fresh Food temperature and right for colder temperature. Ice crystals may form on drawer or food on coldest setting. Cold air can decrease Fresh Food temperature. Fresh Food control may need to be adjusted.

Remove shelf and drawers by completing the following steps.

1. Open left* drawer.

*For doors hinged on left, open right drawer.



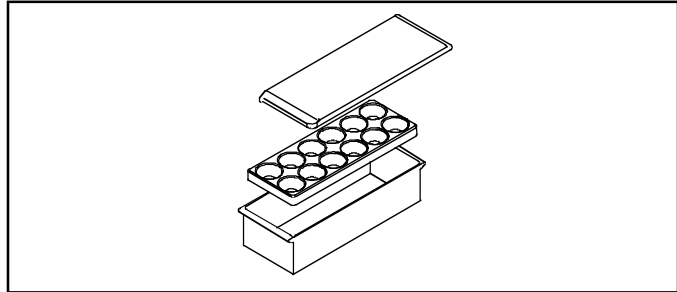
CAUTION

To avoid personal injury or property damage, handle tempered glass shelves carefully. Shelves may break suddenly if nicked, scratched, or exposed to sudden temperature change.

2. Remove shelf by gently pushing up from underneath. Tilt one end up then pull out.
3. Remove left* drawer by lifting front while supporting underneath then pulling out.
*For doors hinged on left, remove right drawer.
4. Remove support post at recess in bottom center of Fresh Food section by lifting.
5. Remove other crisper by sliding to opposite wall. Lift front while supporting underneath then pull out.
6. Replace drawers and shelf by reversing steps 1–5.

Covered Storage Bucket

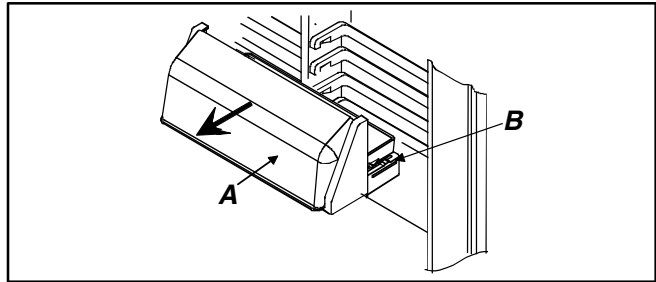
Storage bucket has a lid and removable egg tray. When tray is removed, bucket will accept items such as a standard egg carton, ice, etc.



Dairy Centers

Dairy centers provide convenient storage for items such as butter, cheese, etc.

- Remove dairy centers by lifting door, pushing tabs toward center and pulling out.
- Replace dairy centers by sliding in until tabs lock into place and lowering door.



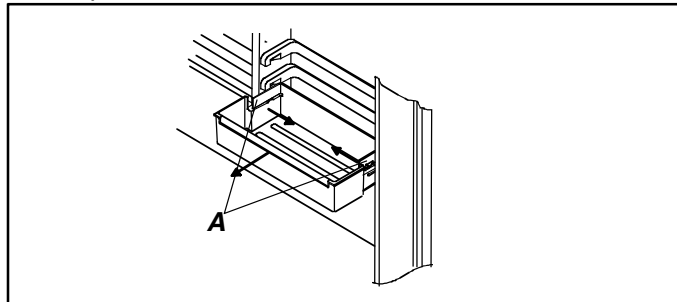
A Door

B Tab

Door Buckets

Door buckets adjust to meet individual storage needs.

- Remove door buckets by pushing tabs toward center and pulling out.
- Replace door buckets by sliding in until tabs lock into place.

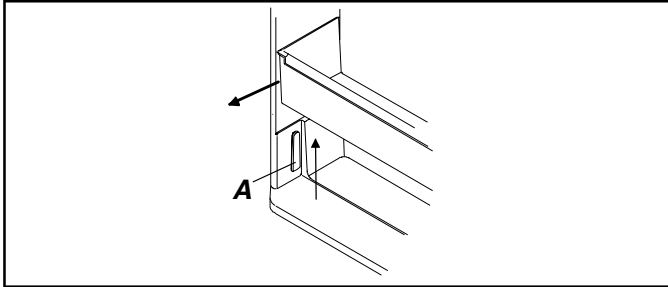


A Tabs

Deepfreeze™ Features

Door Shelf

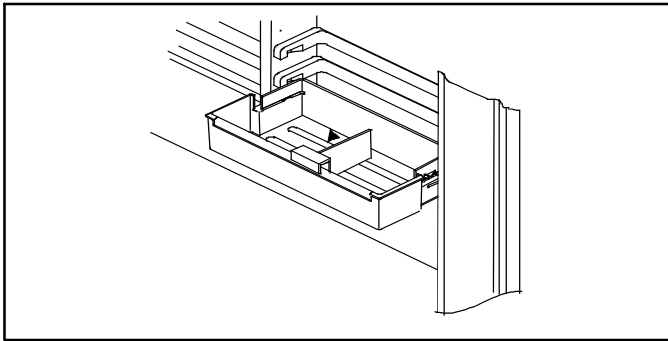
- Remove door shelf by lifting ends and pulling out.
- Replace door shelf by placing shelf on glides and sliding down.



A Glide

Adjustable Dividers

Adjustable dividers keep items in place and adjust to meet individual storage needs. Divider fits in any Fresh Food door bucket or door shelf.

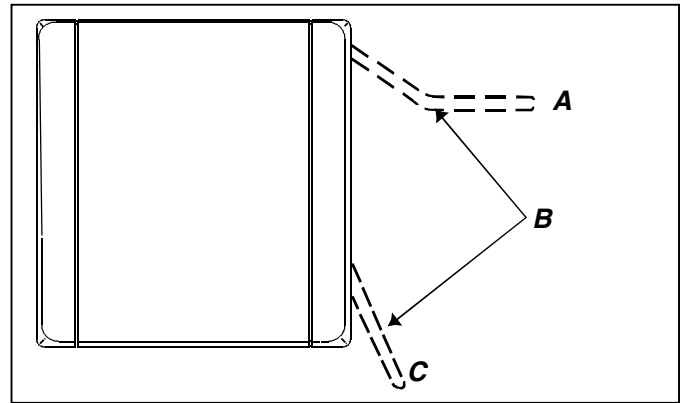


Frost-Free System

The fresh food and freezer sections are completely frost-free. Defrosting is automatic under normal conditions. Fresh food and freezer sections never have to be defrosted.

Automatic Ice Maker (some models)

- Make sure ice bucket is in place and ice maker arm is down.



A Off position

B Ice maker arm

C On position

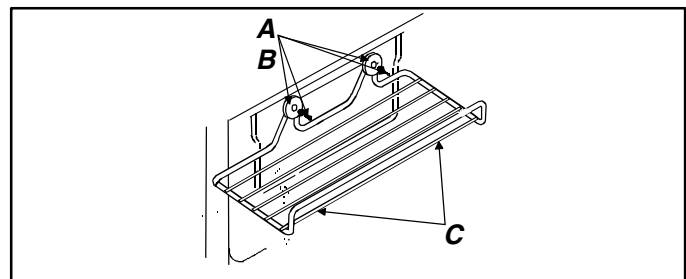
- After freezer section reaches normal temperature, the ice maker fills with water and begins operating. Allow 24–48 hours after installation before first harvest of ice. Ice maker produces 7 to 9 harvests of ice in a 24-hour period under ideal conditions.
- After ice is formed, ice maker drops ice cubes into ice storage bucket. During ice production, ice maker arm raises and lowers. When ice storage bucket is full, ice maker arm turns ice maker off.

Note: Discard first 3 harvests of ice so any impurities left in the water line after installation are not consumed.

- If you wish to stop automatic ice production lift ice maker arm. A definite click is heard when proper position is reached. Ice maker arm will remain in that position until pushed down.

Ice Service Rack (some models)

Install ice service rack by placing ice service rack on washers and sliding down.



A Washer

B Screws

C Ice service rack

Care and Cleaning

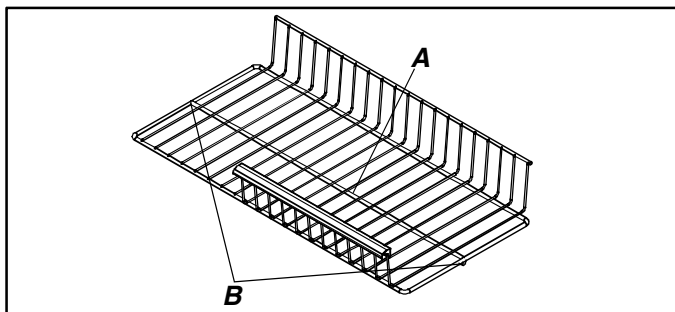
CAUTION

Make sure shelf is secure before placing items on shelf to avoid property damage.

Slideout Shelf (some models)

Slide out shelf pulls forward for easy access to items in back.

- Remove slideout shelf by sliding forward until ball point beneath center rail catches in molding groove.
- Grasp shelf by center rail, pull up, and remove.
- Slide in until ball point falls into molding groove.



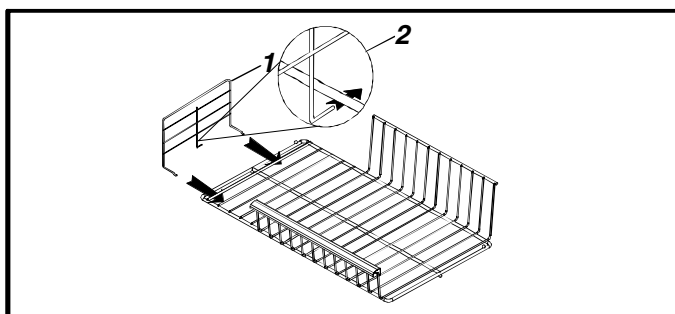
A Central rail

B Ball

Vertical Shelf Divider (some models)

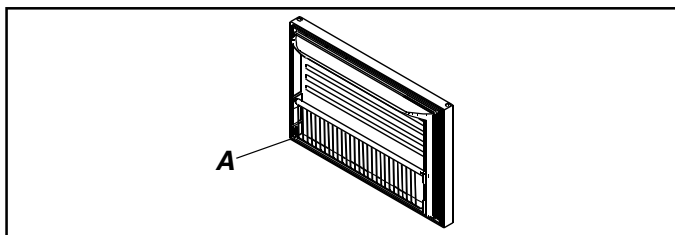
Install vertical shelf divider by completing the following steps:

1. Slide prongs of shelf divider beneath desired grille work, slightly off-center from center rail.
2. Press top of divider down and slide hook assembly beneath center rail.



Pivot Bin™

Pivot Bin™ provides convenient storage for frozen food items in Deepfreeze® door and tilts forward for easy access of those items.



A Pivot Bin™

WARNING

To avoid electrical shock which can cause severe personal injury or death, disconnect power to refrigerator before cleaning. After cleaning, connect power.

CAUTION

To avoid personal injury or property damage, read and follow all cleaning product manufacturer's directions.

Textured Doors and Exterior

1. Wash surfaces with 4 tablespoons baking soda dissolved in 1 quart warm water and a soft, clean cloth.
2. Rinse surfaces with warm water. Dry surfaces with a soft, clean cloth.
 - Do not use the following items:
 - abrasive or harsh cleaners, ammonia, chlorine bleach, etc.
 - concentrated detergents or solvents
 - metal scouring padsThese items can scratch, crack and discolor surfaces.
 - Do not place buckets, shelves, etc. in dishwasher.

Stainless Steel Cleaning

Damage to stainless steel finish due to improper use of cleaning products, or using non-recommended cleaning products, is not covered under warranty. For Amana recommended products, call our Consumer Affairs division at **1(800) 843-0304**, or contact us on the web at **www.amana.com**.

1. Wash surfaces with warm soapy water and a soft, clean cloth or sponge.
2. Rinse surfaces with warm water. Dry surfaces with a soft, clean cloth.
 - Do not use the following harsh cleaners:
 - abrasive or acidic cleaners (ammonia, chlorine bleach, vinegar-based product, etc.)
 - citrus-based cleaners
 - scouring pads (metal, textured plastic, etc.)These items can scratch, discolor, or permanently tarnish surfaces.
3. Follow up rinsing by immediately drying with a soft, clean cloth. This will avoid water spotting on stainless steel finish.

Odor Removal

1. Remove all food.
2. Clean all interior surfaces including ceiling, floor, and walls according to *General* instructions. Pay special attention to corners, crevices, and grooves. Include all drawers, shelves, and gaskets.
3. Wash and dry all bottles, containers and jars before returning food to refrigerator. Wrap foods in tightly sealed containers to prevent further odor. After 24 hours, check if odor was eliminated.

Complete the following steps if odor was not eliminated.

4. Complete steps 1–2.
5. Place garden fresh crispers on top shelf of Fresh Food section. Pack Fresh Food and Deepfreeze® sections, including doors, with crumpled sheets of black and white newspaper.

6. Place charcoal briquettes randomly throughout newspaper.
 7. Close doors and let stand 24–48 hours.
 8. Remove charcoal briquettes and newspapers.
 9. Complete steps 2–3.
- Contact Consumer Affairs Department if odor was still not eliminated.

Adhesives

1. Remove glue residue by rubbing toothpaste into adhesive with fingers until adhesive loosens.
2. Rinse surface with warm water. Dry surface with a soft, clean cloth.

Door Gaskets

1. Clean door gaskets as necessary according to *General* instructions. Gaskets must be kept clean and pliable to assure proper seal.
2. Apply a light film of petroleum jelly on hinge side of gasket to keep gaskets pliable.

Condenser Coils

Clean condenser coil every 3 months to ensure maximum performance of refrigerator. Accumulated dust and lint may cause the following:

- reduced cooling performance
 - increased energy usage
 - premature part failure
1. Remove toe grille by holding ends and pulling forward.
 2. Clean front surface of condenser coil with a vacuum cleaner hose nozzle.
 3. Replace toe grille by inserting clips in holes and snapping in.

Glass Shelves



CAUTION

To avoid personal injury or property damage, handle tempered glass shelves carefully. Shelves may break suddenly if nicked, scratched, or exposed to sudden temperature change.

Remove shelf by lifting front, releasing hooks from metal track then pulling out. Place shelf on a towel. Allow shelf to adjust to room temperature before cleaning.

Clean crevices by completing the following steps:

1. Dilute mild detergent and brush solution into crevices using a plastic bristle brush. Let set for 5 minutes.
2. Spray warm water into crevices using faucet spray attachment.
3. Dry shelf thoroughly and replace shelf by inserting hooks into metal track and lowering front.

Light Bulbs



WARNING

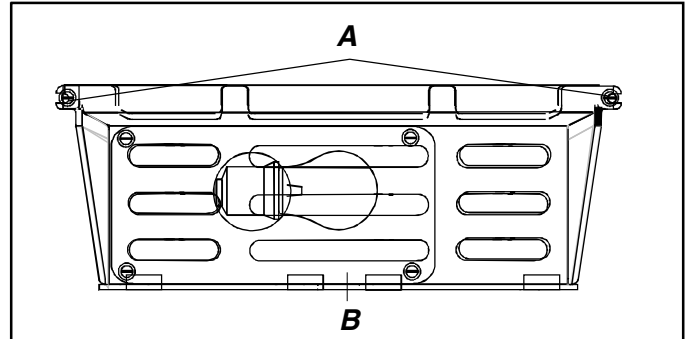
To avoid electrical shock which can cause severe personal injury or death, disconnect power to refrigerator before replacing light bulb. After replacing light bulb, connect power.



CAUTION

To avoid personal injury or property damage, observe the following:

- Allow light bulb to cool.
 - Wear gloves when replacing light bulb.
- Remove light bulb cover by removing ¼" hex nut screws. **Replace with appliance bulb no greater than 60 watts.**
 - Replace light bulb cover by replacing ¼" hex nut screws.



A ¼" hex nut screws

B Light bulb cover

Energy Tips

This refrigerator is designed to be one of the most energy efficient refrigerators available. Reduce energy use by observing the following.

- Operate in normal household temperatures of 55° to 110°F (13°C to 43°C) away from heat sources and direct sunlight.
- Set Fresh Food, Deepfreeze®, and drawer controls no colder than necessary.
- Keep Deepfreeze® section full.
- Keep door gaskets clean and pliable. Replace gaskets if worn.
- Keep condenser coils clean.

Vacation Tips

Complete the following steps for short vacations.

1. Remove perishable foods. **Warranty does not cover food loss.** Check warranty certificate for specific coverage.
2. If an ice maker is installed, move ice maker arm to off position.

Complete the following steps for long vacations.

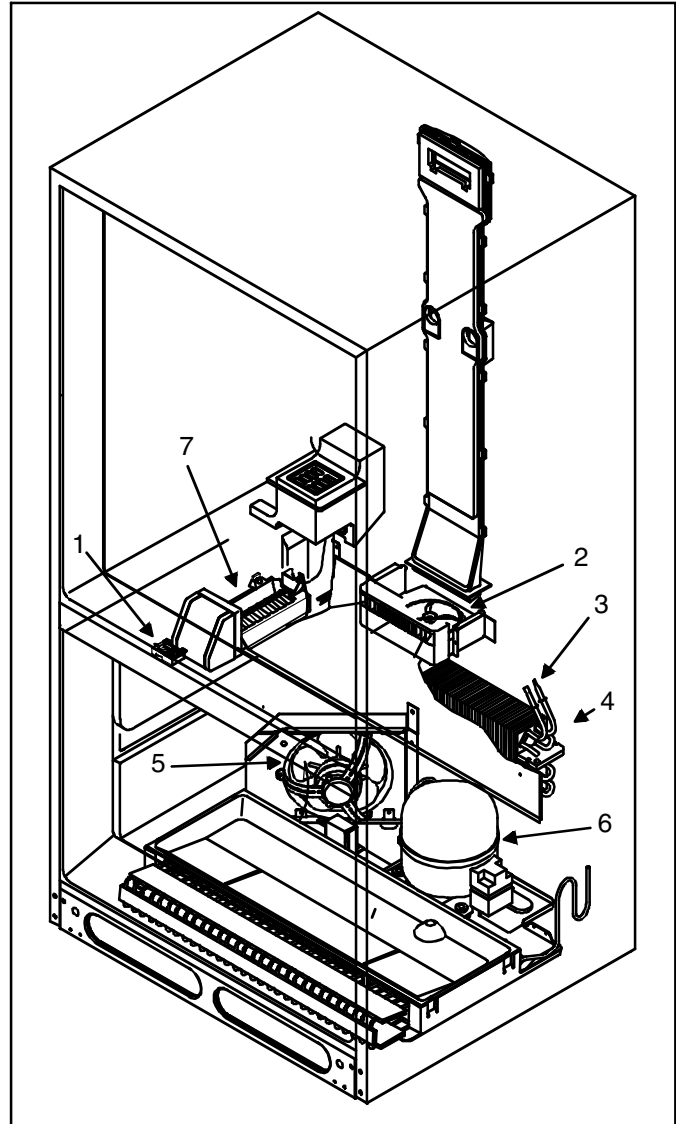
1. Empty Fresh Food and Deepfreeze® sections.
2. Unplug refrigerator.
3. Clean refrigerator and door gaskets according to *General* instructions in *Care and Cleaning* section.
4. Prop doors open, so air can circulate inside.
5. If an ice maker is installed, turn water supply to refrigerator off and move ice maker arm to off position.

Normal Operating Sounds

This new refrigerator may be replacing a differently designed, less efficient or smaller refrigerator. Today's refrigerators have new features and are more energy efficient. As a result, certain sounds may be unfamiliar. These sounds are normal and will soon become familiar. These sounds also indicate refrigerator is operating and performing as designed.

1. **Deepfreeze® control** clicks when starting or stopping compressor.
2. **Deepfreeze® fan** air rushes and whirs.
3. **Sealed system** (evaporator and heat exchanger) refrigerant flow gurgles, pops or sounds like boiling water.
4. **Defrost heater** sizzles, hisses or pops.
5. **Condenser fan** air rushes and whirs.
6. **Compressor** has a high pitched hum or pulsating sound.
7. **Ice cubes** from ice maker (some models) drop into ice bucket.
8. **Ice maker water valve hookup** (some models) buzzes when ice maker fills with water. This occurs whether or not refrigerator is connected to water supply. If refrigerator is not connected to water supply, stop sound by raising ice maker arm to off position.

Note: Foam insulation is very energy efficient and has excellent insulating capabilities. However, foam insulation is not as sound absorbent as previously used fiberglass insulation.



Before Calling For Service

Problem	Solution
Refrigerator does not operate.	<ul style="list-style-type: none"> • Confirm Deepfreeze® control is on. • Confirm refrigerator is plugged in. • Check fuse or circuit breaker. Plug in another item at that wall outlet. • Wait 40 minutes to see if refrigerator restarts. If Deepfreeze® control is on, lights work but 2 fans and compressor are not operating, refrigerator may be in defrost cycle.
Refrigerator still won't operate.	<ul style="list-style-type: none"> • Unplug refrigerator. Transfer food to another unit or place dry ice in Deepfreeze® section to preserve food. Warranty does not cover food loss. Check warranty certificate for specific coverage. • Call 1-800-628-5782 inside U.S.A. and 1-319-622-5511 outside U.S.A. to locate an authorized Amana technician.
Food temperature appears too warm.	<ul style="list-style-type: none"> • See above sections. • Allow time for recently added warm food to reach Fresh Food or Deepfreeze® temperature. • Check gaskets for proper seal. • Clean condenser coils. • Adjust Fresh Food and/or Deepfreeze® control.
Temperature controlled drawer temperature is too warm.	<ul style="list-style-type: none"> • Slide control to colder setting. • Adjust Deepfreeze® control to colder setting.
Food temperature is too cold.	<ul style="list-style-type: none"> • Clean condenser coils. • Adjust Fresh Food control. • Adjust Deepfreeze® control to warmer setting. Allow several hours for temperature to adjust.
Refrigerator runs too frequently.	<ul style="list-style-type: none"> • It may be normal to maintain constant temperature. • Doors may have been opened frequently or for an extended period of time. • Allow time for recently added warm food to reach Fresh Food or Deepfreeze® temperature. • Clean condenser coils. • Adjust Deepfreeze® control. • Check gaskets for proper seal.
Water droplets form on inside of refrigerator.	<ul style="list-style-type: none"> • It is normal during high humidity periods or if doors have been opened frequently.
Water droplets form on outside of refrigerator.	<ul style="list-style-type: none"> • Check door gaskets for proper seal.
Drawers do not close freely.	<ul style="list-style-type: none"> • Check for a package which may prevent drawer from closing properly. • Confirm drawer is in proper position. • Clean drawer channels with warm, soapy water. Rinse and dry thoroughly. • Apply a thin layer of petroleum jelly to drawer channels. • Confirm refrigerator is level.
Refrigerator has an odor.	<ul style="list-style-type: none"> • See <i>Odor Removal</i> instructions in <i>Care and Cleaning</i> section.
Refrigerator or ice maker (some models) make unfamiliar sounds or seems too loud.	<ul style="list-style-type: none"> • It may be normal. See <i>Normal Operating Sounds</i> section.

Problem	Solution
Ice maker (some models) is not producing ice.	<ul style="list-style-type: none"> • Confirm ice maker arm is down. • Confirm household water supply is reaching water valve. • Confirm ice maker wiring harness is completely inserted into proper holes. • Check for kinks in copper or plastic tubing. Remove kinks or replace tubing. • Check electrical connections to water valve coil and connector block on refrigerator cabinet. • Confirm Deepfreeze® section is operating at proper temperature.
Ice cubes have an odor.	<ul style="list-style-type: none"> • See <i>Odor Removal</i> instructions in <i>Care and Cleaning</i> section. • Discard ice and clean ice bucket or trays more frequently. Ice cubes are porous and absorb odors easily.
Ice cubes stick together or 'shrink'.	<ul style="list-style-type: none"> • Empty ice cube bucket or trays more frequently. If used infrequently, ice cubes may stick together or shrink.
Ice forms in inlet tube to ice maker (some models).	<ul style="list-style-type: none"> • Check water pressure. Low water pressure will cause valve to leak. Self-piercing valves cause low water pressure. Amana recommends using a saddle valve. Contact 1-800-843-0304 or an Amana dealer for availability. Do not use self-piercing valve. Amana is not responsible for property damage due to improper installation or water connection.

Warranty

Full One Year Warranty Full Five Year Warranty on Sealed System Components and Food Compartment Liner

First Year

Amana Appliances will repair or replace, free of charge, any part which is defective due to workmanship or materials.

Second through Fifth Year

Amana Appliances will replace, free of charge, any sealed system component (compressor, condenser, evaporator, drier, and interconnecting tubing) and repair any food compartment liner (exclusive of door liner) which is defective due to workmanship or materials.

Warranty Limitations

- Begins at date of original purchase.
- Applies to product used within the United States or in Canada if product has Canadian Standards Association listing when shipped from the factory.
- Service must be performed by an **authorized** Amana technician.

Warranty Is Void If

- Serial plate is defaced.
- Product is used on a commercial, rental or leased basis.
- Product has defect or damage due to product accident, alteration, connection to an improper electrical supply, fire, flood, lightning, or other conditions beyond the control of Amana Appliances.
- Product is improperly installed or used.

Owner's Responsibilities

- Provide proof of purchase (sales receipt).
- Provide normal care and maintenance. Replace owner replaceable items where directions appear in Owner's Manual.
- Make product reasonably accessible for service.
- Pay premium service costs for service outside technician's normal business hours.
- Pay for service calls related to product installation or usage.

In no event shall Amana Appliances be liable for incidental or consequential damages including food loss*

- * This warranty gives you specific legal rights and you may have others which vary from state to state. For example, some states do not allow the exclusion or limitation of incidental or consequential damages so this exclusion may not apply to you.

Amana Appliance L.C.
2800 220th Trail
Amana, IA 52204-0001
1-800-843-0304 or 1-319-622-5511
www.amana.com



Contenido

Requerimientos eléctricos	21
Identificación del modelo	21
Servicio	21
Plan de servicio extendido Asure™	22
Forma apropiada de desechar su refrigerador	22
Dimensiones de recorte	22
Instrucciones de instalación	22
Inversión de la puerta	
(modelos de puerta contorneada)	22
Inversión de la puerta (asa montada al frente)	22
Inversión de la puerta (asa montada de lado)	24
Instalación de los paneles decorativos	27
Conexión para la línea de suministro de agua	
de la máquina de hielos (en algunos modelos)	28
Para nivelar el refrigerador	29
Lista de verificación de la instalación	30
Controles	31
Controles de Alimentos frescos y del congelador	31
Ajuste de los controles	31
Características de la sección de Alimentos frescos	31
Repisas Spillsaver™	31
Deli Port™	31
Cajones	32
Recipiente cubierto para almacenamiento	32
Centros para productos lácteos	33
Compartimientos de la puerta	33
Repisa de la puerta	33
Separadores ajustables	33
Dispositivo de retención para paquetes altos	33
Características del congelador	33
Sistema sin escarcha (Frost-Free)	33
Máquina de hielo automática (en algunos modelos)	33
Rejilla para servicio de hielo	34
Repisa deslizable (en algunos modelos)	34
Separador vertical derepisa (en algunos modelos) ..	34
Pivot Bin™	35
Cuidado y limpieza	35
Puertas y Exterior Texturizados	35
Limpieza del acero inoxidable	35
Eliminación de olores	35
Adhesivos	35
Empaques de la puerta	35
Serpentines del condensador	36
Repisas de vidrio	36
Focos	36
Sugerencias para conservar energía	36
Sugerencias para las vacaciones	36
Sonidos normales de funcionamiento	37
Antes de llamar para solicitar servicio	38
Garantía	40

Nota: La traducción podría en ocasiones causar variaciones en el significado. En todas las ocasiones cuando suceda esto, el más correcto significado será el de la versión en inglés de este documento.



Reconozca este símbolo como precaución de seguridad.

Requerimientos eléctricos

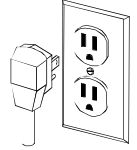


ADVERTENCIA

Para evitar descargas eléctricas que pueden causar lesiones personales graves o la muerte:

- No corte ni quite la punta de conexión a tierra de la clavija.
- **No utilice un adaptador de dos puntas.**
- **No utilice un cordón de extensión.**
- No quite la etiqueta de advertencia del cordón eléctrico.
- Siga todas las instrucciones de conexión y tierra.

Este refrigerador viene equipado con un enchufe de tres puntas (para conexión a tierra) para proveer protección contra posible riesgos de descargas eléctricas. Si el tomacorrientes de pared tiene sólo dos orificios, haga que un electricista experto reemplace este tomacorrientes de pared de dos orificios por otro de tres orificios correctamente conectado a tierra, de conformidad con el Código Eléctrico Nacional de los E.E. U.U.



Este refrigerador ha sido diseñado para que funcione conectado a una línea separada de 103 a 126 voltios, 15 amperios y 60 ciclos.

Identificación del modelo

Gracias por haber comprado este refrigerador Amana. Por favor lea todo el manual del propietario. Este manual proporciona información sobre el mantenimiento adecuado. Si tiene alguna pregunta, sírvase llamar al Departamento de asuntos del consumidor al **1-800-843-0304** dentro de los EE.UU. y al **1-319-622-5511** fuera de los EE.UU. o comuníquese con nosotros en Internet en www.amana.com.

Llene la tarjeta de registro y envíela lo más pronto posible. Si el refrigerador no incluye una tarjeta de registro, llame al Departamento de asuntos al consumidor.

Cuando se comunique con Amana Appliances, proporcione la información del producto. Esta información se encuentra en la placa del número de serie, ubicada en el techo de la sección del refrigerador. Anote la siguiente información:

Número de modelo: _____
 Número de fabricación: _____
 Número de serie (S/N): _____
 Fecha de adquisición: _____
 Nombre y dirección del distribuidor: _____

Servicio

Guarde una copia de la factura de venta para futura referencia o en caso de que necesite un servicio de garantía. Si tiene alguna pregunta o para localizar a un técnico autorizado de servicio, llame al **1-800-NAT-LSVC (1-800-628-5782)** dentro de los EE.UU. o al **319-622-5511** fuera de los EE.UU. o comuníquese con nosotros en Internet en www.amana.com.

El servicio de garantía debe efectuarlo un técnico autorizado de servicio. Amana recomienda también comunicarse con un técnico de servicio autorizado si necesita servicio después de que caduque la garantía.

Aviso de servicio: Solamente para los modelos de puerta contorneada

Esta puerta puede invertirla solamente un técnico calificado de servicio. Para que le inviertan la puerta, llame al 1-800-843-0304. Se aplicará un cargo por este servicio.

Plan de servicio extendido Asure™

Amana ofrece un servicio de protección a largo plazo para esta nueva estufa. El Plan de servicio extendido Asure™ está diseñado especialmente para complementar la excelente garantía de Amana. Este plan cubre piezas, mano de obra y gastos de transportación. Llame al 1-800-528-2682 o comuníquese con nosotros en Internet en www.amana.com para obtener más información.

Para obtener más información visite nuestro sitio

Web: www.amana.com

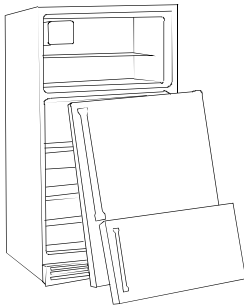
PELIGRO

Forma apropiada de desechar su refrigerador

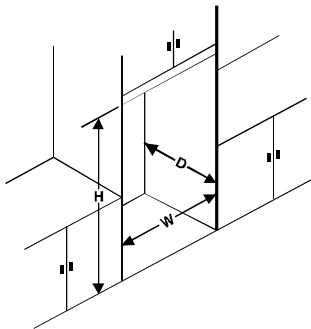
IMPORTANTE: Los niños atrapados y asfixiados en refrigeradores no es cosa del pasado. Los refrigeradores que se arrumban o abandonan, aun cuando sea por "sólo unos cuantos días", continúan siendo un peligro. Si desecha un refrigerador viejo, sírvase seguir las siguientes instrucciones para ayudar a prevenir un accidente.

ANTES DE TIRAR SU REFRIGERADOR O CONGELADOR VIEJO:

- Quítele las puertas
- Déjele las repisas puestas para que los niños no puedan meterse fácilmente.



Dimensiones de recorte



Instalacion simple	
H	<ul style="list-style-type: none"> • 69" con gabinetes de 12" de profundidad por encima del refrigerador • 70" con gabinetes de 24" de profundidad por encima del refrigerador
W	36"
D	24"

Instrucciones de instalación

La instalación correcta del refrigerador asegurará el funcionamiento más eficiente. Amana no se puede hacer responsable de una instalación incorrecta.

Herramientas requeridas

Espátula (con la hoja cubierta con cinta adhesiva masking)

Llave para tuercas hexagonales de $\frac{5}{16}$ "

Llave para tuercas hexagonales de $\frac{3}{16}$ "

Llave para tuercas hexagonales de $\frac{1}{4}$ "

Desarmador Phillips

Desarmador Phillips

IMPORTANTE:

Guarde todos los tornillos para volver a usarlos.

Cuando se necesite usar una espátula o un desarmador plano para quitar los tapones, **la hoja debe estar cubierta con cinta adhesiva para evitar dañar el acabado del refrigerador.** Para los tapones en los que se use un desarmador o una cabeza tipo desarmador de tuercas, use la herramienta apropiada para evitar dañar los tapones.

PRECAUCIÓN

Para evitar lesiones personales o daños materiales, las roscas estabilizadoras deben estar colocadas firmemente sobre el piso.

Inversión de la puerta (modelo de la puerta contorneada)

Solamente un técnico calificado de servicio puede invertir esta puerta. Para que le inviertan la puerta, llame al **1-800-843-0304**. Se aplicará un cargo por este servicio.

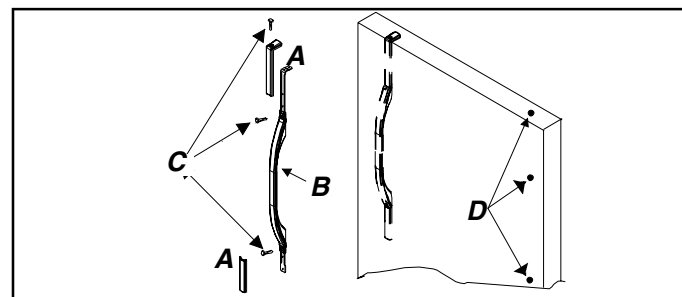
Inversión de la puerta (asa montada de frente)

Algunas instalaciones podrían requerir que se invierta la puerta para que ésta pueda abrirse completamente. Para invertir la dirección del giro de la puerta realice los pasos siguientes:

1. Quite el asa de la puerta del refrigerador.

Quite el tornillo del adorno del asa superior. Saque el borde del adorno del asa con una espátula con la hoja cubierta con cinta adhesiva. Retire el asa de la puerta quitando los tornillos de montaje que quedan en cada extremo del asa.

Quite un tapón del lado de la bisagra superior de la puerta y dos del lado de la bisagra delantera de la puerta. Vuelva a colocar los tres tapones en los orificios de montaje desocupados.



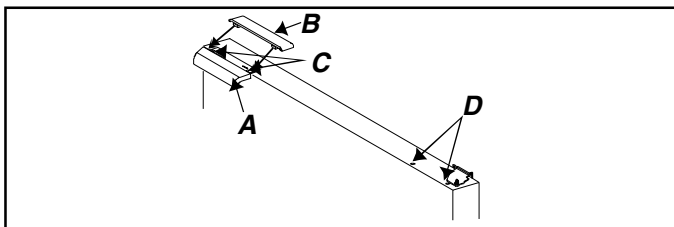
A Adorno del asa

B Asa

C Tornillos

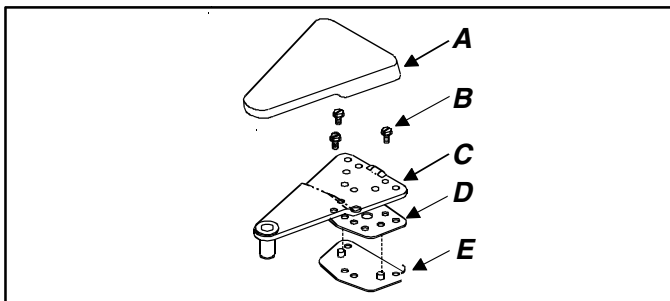
D Tapones

2. Quite el asa de la puerta del congelador:
 Abra la puerta del congelador 90°. Encuentre dos mellas en la parte posterior del asa del congelador. Inserte el desarmador plano o la hoja de la espátula cubierta con cinta adhesiva. Saque la parte posterior de la tapa del asa y quítela del asa. Retire el asa de la puerta quitándole dos tornillos de montaje.
 Quite dos tapones del lado donde está la bisagra de la puerta del congelador y colóquelos en los orificios vacíos.



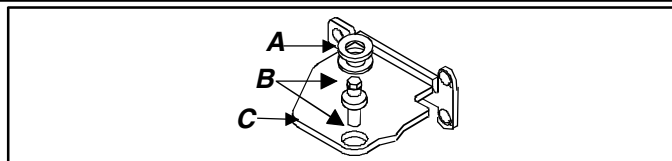
A Asa
 B Tapa del asa
 C Tornillos
 D Tapón

3. Quite las puertas:
- Quite la cubierta de la bisagra superior. La cubierta de la bisagra superior se desprende. Mientras sostiene la puerta del refrigerador quite la bisagra superior y la cuña de la bisagra con un desarmador hexagonal de tuercas de $\frac{5}{16}$ ". Quite la cuña de posicionamiento (E) pelando la parte superior del gabinete. Quite y conserve todas las cuñas.
 - mangenga la superficie adhesiva de la cuña libre de residuos y polvo hasta que esté listo para colocarla durante la inversión de la bisagra superior. Si la superficie adhesiva se contamina, no se logrará una instalación adecuada.



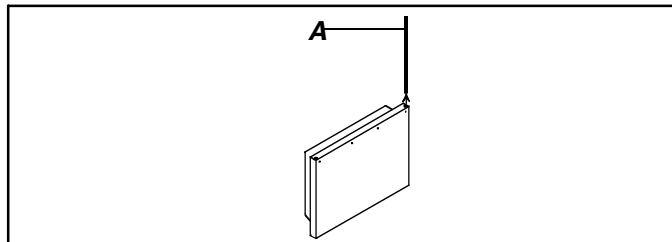
A Cubierta de la bisagra
 B Tornillos hexagonales de $\frac{5}{16}$ "
 C Bisagra superior
 D Cuña de la bisagra
 E Cuña de colocación positiva

- C Quite la puerta del refrigerador levantándola para separarla del pasador de la bisagra central. Inspeccione la puerta para verificar que todas las cuñas tengan el pasador de la bisagra.
- C Quite el pasador de la bisagra central con una llave para tuercas hexagonales de $\frac{1}{4}$ ". Debido a la colocación ajustada del pasador es posible que necesite aplicar una presión firme. Quite y conserve todas las cuñas.
- C Quite la puerta del congelador levantándola para separarla de la bisagra inferior de la bisagra inferior.



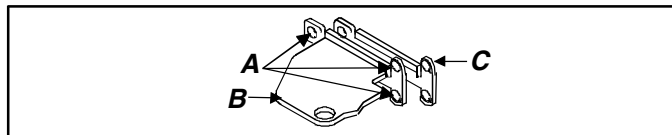
A Cuña ronda
 B Pasador de la bisagra central
 C Bisagra central

4. Quite barra de apoyo (en algunos modelos):
- Algunos modelos tienen una barra interna de apoyo (en algunos modelos) instalada en la cavidad de la bisagra de la puerta. Si su modelo la tiene, quítela y guárdela para volverla a colocar posteriormente.



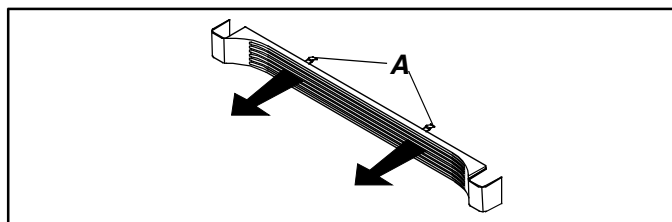
A Barra de apoyo (en algunos modelos)

5. Invierta la bisagra central:
- Quite la bisagra central y las cuñas de la bisagra con un desarmador Phillips.
 - Quite los tres tornillos opuestos a la bisagra central y transfíralos al lado opuesto del gabinete.
 - Instale la bisagra central en al lado opuesto del gabinete con las cuñas.



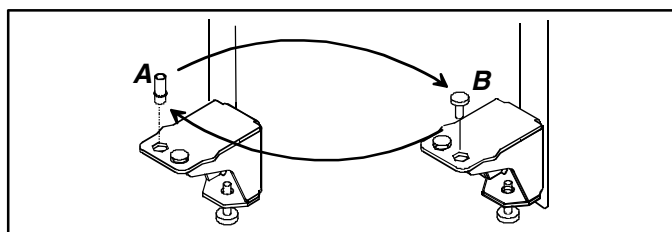
A Tornillos Phillips
 B Bisagra central
 C Cuña de la bisagra central

6. Invierta el pasador de la bisagra inferior:
- Quite la rejilla de la base sujetando ambos extremos y jalándola directamente hacia afuera. La rejilla se desprende.



A Rejilla de la base

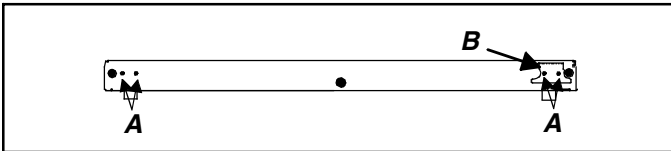
- Cable el pasador de la bisagra del conjunto de la bisagra inferior con el tapón de la bisagra hacia afuera del conjunto de la bisagra inferior del lado opuesto.



A Pasador de la bisagra
 B Tapón de la bisagra

7. Invierta los topes de la puerta:

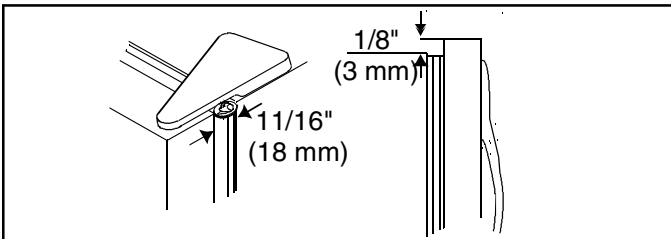
- Ubique el tope de la puerta en el borde inferior de la puerta del refrigerador. Desatornille dos tornillos Phillips para quitar el tope de la puerta. Quite los dos tornillos Phillips del borde opuesto de la puerta. Monte los topes de la puerta en el lado opuesto. Vuelva a colocar los tornillos en los orificios de montaje vacíos.
- Repita las instrucciones previas para invertir el tope de la puerta en la puerta del congelador.



A Tornillos B Tope de la puerta

8. Vuelva a colocar las puertas:

- Vuelva a colocar la puerta del congelador asentando el orificio de la bisagra de la puerta del congelador en el pasador de la bisagra inferior.
- Mientras sostiene la puerta del congelador, introduzca la barra interna de apoyo en la cavidad de la bisagra, e instale el pasador de la bisagra central en el soporte de la bisagra central.
- Apriete el pasador de la bisagra central con una llave de tuercas hexagonal de 1/4" para fijar en su lugar. Asegúrese de que quede bien ajustada.
- Ubique los tres tapones en la parte superior del gabinete. Transfiera los tapones a los orificios que quedaron libres al quitar la bisagra.
- Ensamble la cubierta la bisagra superior, la bisagra superior, las cuñas de la bisagra, y la cuña de colocación. Sujételas, sin apretar, al lado opuesto del gabinete para dejar espacio libre a la puerta.
- Coloque la puerta del refrigerador en el pasador de la bisagra central.
- Mientras sostiene la puerta del refrigerador, use una moneda pequeña encima para separar la puerta 11/16" (18 mm) del gabinete. Use cuñas de plástico detrás de la bisagra central para dejar más espacio, si es necesario.
- El lado del asa de la puerta debe estar aproximadamente a 1/8" (3 mm) más alto que el lado de la bisagra. **La puerta se nivelará cuando se llene con alimentos.**
- Apriete la bisagra superior para que retenga la puerta en su lugar y vuelva a colocar la cubierta de la bisagra.



9. Vuelva a instalar las asas:

- Monte el asa del refrigerador en el lado opuesto de la puerta con los tornillos de montaje que se quitaron en el paso anterior.
- Coloque el adorno del asa en su lugar y vuelva a colocar el tornillo.

- Monte el asa del congelador en el lado opuesto de la puerta con los tornillos de montaje que se quitaron en el paso anterior.
 - Coloque en ángulo el borde delantero del asa hacia abajo en dirección al labio posterior del asa del congelador. Verifique que la lengüeta inferior en la tapa del congelador se deslice por debajo del labio posterior del asa del congelador. Coloque el borde posterior de la tapa del asa en su lugar.
10. Revise que la unidad esté apropiadamente nivelada siguiendo las instrucciones en la sección titulada *Nivelación del refrigerador*, comenzando con el paso tres.

Inversión de la puerta (asas montadas en los lados)*

*Solamente las puertas sin contorno

Herramientas necesarias

Desarmadores Phillips #1 y #2

Desarmador plano

Mazo de hule

Desarmador hexagonal de tuercas de 1/4"

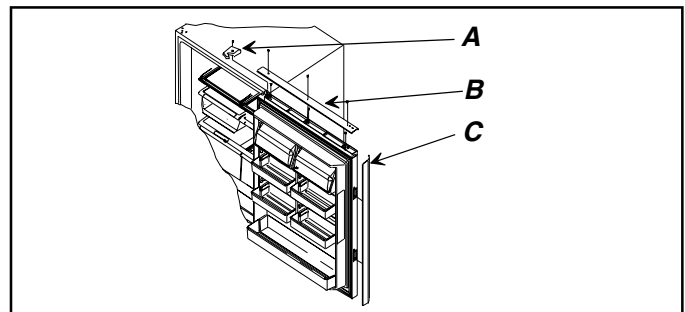
Desarmador hexagonal de tuercas de 3/8"

Desarmador hexagonal de tuercas de 5/8"

Desarmador hexagonal de tuercas de 9/16"

IMPORTANTE:

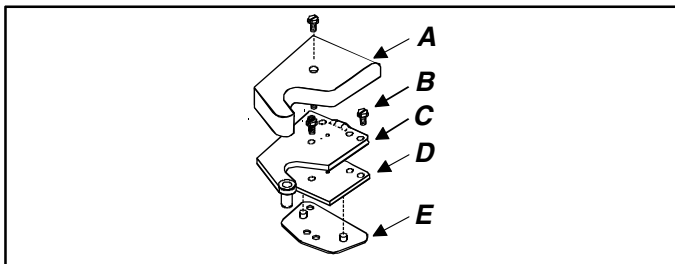
- Conserve todas las partes desechadas con el paquete de información.
 - Conserve todos los tornillos para volver a usarlos.
 - Cuando se necesite usar una espátula o un desarmador plano para quitar los tapones, **la hoja debe estar cubierta con cinta adhesiva para evitar dañar el acabado del refrigerador.** Para los tapones en los que se use un desarmador o una cabeza tipo desarmador de tuercas, use la herramienta apropiada para evitar dañar los tapones.
1. Quite el tapón de la puerta y la cubierta de la bisagra superior del refrigerador:
- Quite tres tornillos Phillips para soltar el tapón de la puerta superior.



A Cubierta de la bisagra B Tapón de la puerta C Asa

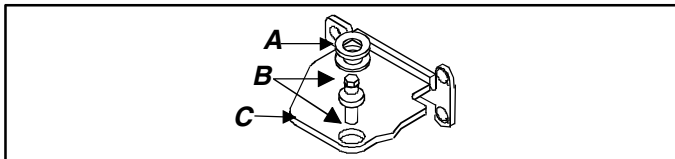
2. Quite las puertas:
- Quite la cubierta de la bisagra destornillando un tornillo Phillips.
 - Use una llave de tuercas de 5/16" para quitar los tornillos de la bisagra superior. Desprenda del gabinete la cuña de colocación positiva. Quite y conserve todas las cuñas.

- Mantenga la superficie adhesiva de la cuña libre de residuos y polvo hasta que esté listo para colocarla durante la inversión de la bisagra superior. Si la superficie adhesiva se contamina, no se logrará una instalación adecuada.



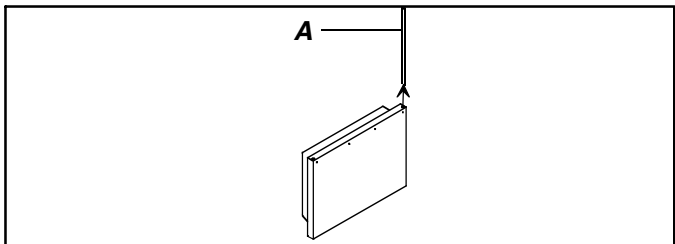
A Cubierta de la bisagra
B Tornillos hexagonales de $\frac{5}{16}$ " (8 mm)
C Bisagra superior
D Cuña de la bisagra
E Cuña de colocación positiva

- Quite la puerta del refrigerador levantándola y separándola del pasador de la bisagra central. Inspeccione la puerta para verificar que todas las cuñas estén en el conjunto del pasador.
- Quite el pasador de la bisagra central con una llave para tuercas hexagonales de $\frac{1}{4}$ ". Debido a la colocación ajustada del pasador es posible que necesite aplicar una presión firme. Quite y conserve todas las cuñas rondas.
- Quite la puerta del congelador levantándola para separarla de la bisagra inferior.



A Cuñas redondas
B Pasador de la bisagra central
C Bisagra central

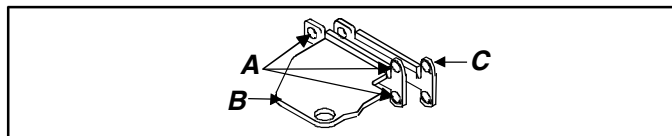
- Algunos modelos tienen una barra interna de apoyo (vea a continuación) instalada en la cavidad de la bisagra de la puerta. Si su modelo la tiene, quítela y guárdela para volverla a colocar posteriormente.



A Barra de apoyo (en algunos modelos)

3. Invierta la bisagra central:

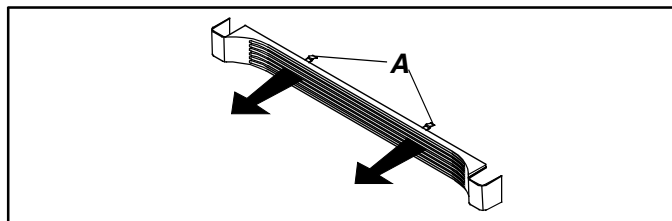
- Quite el soporte de la bisagra central y las cuñas quitando los tornillos con un desarmador Phillips.
- Quite tres tornillos opuestos a la bisagra central y transféralos al lado opuesto del gabinete.
- Instale la bisagra central en el lado opuesto del gabinete con las cuñas.



A Tornillos Phillips
B Bisagra central
C Cuñas de la bisagra central

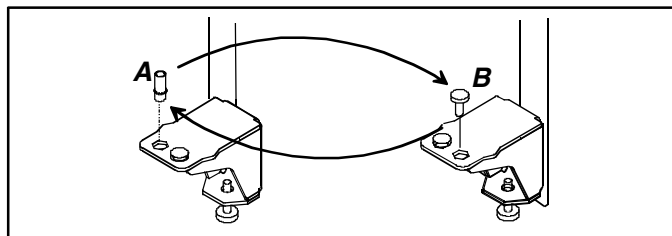
4. Invierta el pasador de la bisagra inferior:

- Quite la rejilla de la base sujetando ambos extremos y jalando directamente hacia afuera. Larejilla se desprende.



A Rejilla de la base

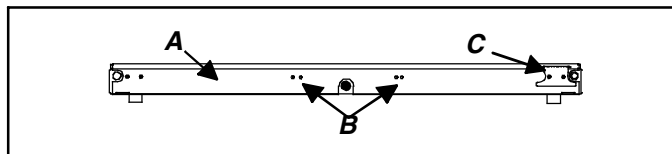
- Cambie el pasador de la bisagra del conjunto de la bisagra inferior con el tapón de la bisagra hacia afuera del conjunto de la bisagra inferior del lado opuesto.



A Pasador de la bisagra
B Tapón de la bisagra

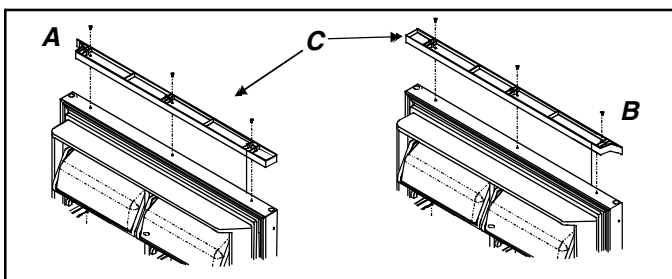
5. Quite los topes de la puerta.

- Ubique el tope de la puerta y la parte inferior de la puerta del refrigerador y la del congelador. Quítela con un desarmador Phillips.



A Tapón de la puerta
B Tornillos
C Tope de la puerta

- Destornille la extensión de la puerta en la parte superior de la puerta con un desarmador Phillips. Invierta la extensión de la puerta de manera que la esquina ranurada gire hacia el interior de la puerta. Vuelva a instalarla con los tornillos.



A Antes

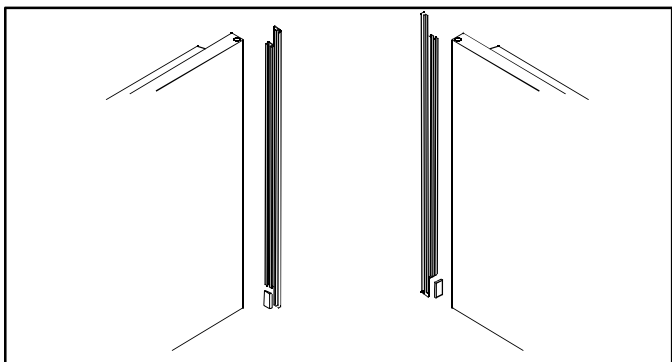
B Después

C Extensión de la puerta

6. Invierta las asas y el adorno:

- Con un destornillador quite los tornillos de tapón inferior de la puerta del refrigerador y del congelador.
- Con un mazo suave de hule, golpee suavemente la parte inferior del asa hacia arriba, hacia la parte superior de la puerta. El asa se deslizará hacia arriba aproximadamente $\frac{3}{4}$ " y se separará de la puerta.
- Con un mazo suave de hule, golpee suavemente la parte inferior del adorno de la bisagra de la puerta hacia la parte superior de la puerta. El adorno se deslizará hacia arriba aproximadamente $\frac{3}{4}$ " y se separará de la puerta.
- Quite la lengüeta en el conjunto de los materiales impresos. Localice la pieza de la lengüeta alterna en el conjunto de los materiales impresos y colóquela en la renura en el extremo opuesto del adorno.

* En los modelos de acero inoxidable no se requiere una lengüeta de plástico. Reemplace el adorno con el adorno alterno que se envía con la unidad.



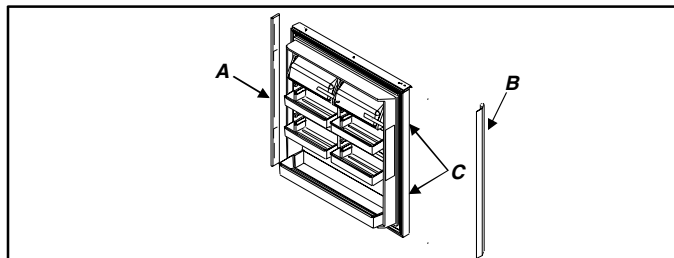
Asa montada a la derecha

Asa montada a la izquierda

- Reemplace el tapón inferior de la puerta.
- Coloque el tope de la puerta debajo del lado de la puerta que tiene las bisagras usando tornillos Phillips.
- Instale el adorno de la bisagra ubicando las mellas en la parte interna del adorno (asegúrese que el inserto de la lengüeta de plástico esté orientada hacia la parte inferior de la puerta). Alinee las mellas del adorno con las lengüetas metálicas de montaje en el lado opuesto de la puerta. Deslice el adorno hacia abajo hasta que la pieza se trabe en

su lugar. Golpee suavemente la parte superior del adorno con un mazo de hule para asegurar un ajuste firme.

- Vuelva a colocar el asa en el lado opuesto colocando las ranuras en el interior del adorno del asa. Vuelva a instalar el asa ubicando las mellas en la parte interna del adorno del asa. Deslice el asa hacia abajo hasta que se trabe en su lugar. Golpee suavemente la parte superior del asa con un mazo de hule para asegurar un ajuste firme. El extremo del adorno debe estar al ras con la parte superior de la puerta.

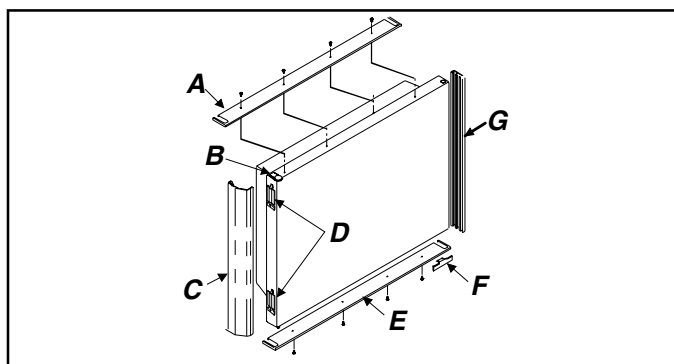


A Adorno

C Lengüetas de montaje

B Asa del refrigerador

- Fije firmemente la tapa superior de la puerta en la parte superior de la puerta volviendo a colocar los tornillos.
- Con un destornillador quite la tapa superior de la puerta del congelador de la parte superior de la puerta del congelador.
- Transfiera el tapón de la cavidad de la bisagra que se encuentra en la parte superior de la puerta del congelador a la cavidad de la bisagra opuesta.
- Para invertir el asa y el adorno del congelador, siga el paso 5. **Nota:** En los modelos de acero inoxidable el adorno del congelador no tiene una lengüeta de plástico ni un adorno alterno.
- Con un destornillador vuelva a colocar la tapa superior de la puerta.



A Tapón de la puerta

D Lengüetas de montaje

B Tapón de la cavidad del la bisagra

E Tapón de la puerta

C Asa

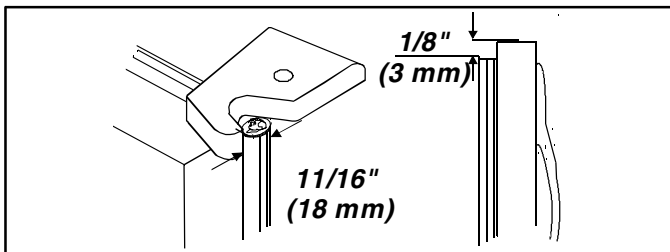
F Tope de la puerta

G Adorno

7. Coloque de nuevo las puertas:

- Vuelva a colocar la puerta del congelador asentando la cavidad de la bisagra de la puerta del congelador en el pasador de la bisagra inferior.
- Mientras sostiene la puerta del congelador, introduzca la barra intera de apoyo en la cavidad de la bisagra, e instale el pasador de la bisagra central en el soporte de la bisagra central.

- Apriete el pasador de la bisagra central con una llave de tuercas hexagonales de $\frac{1}{4}$ " para para fijar la puerta en su lugar. Asegúrese de que quede bien ajustada.
- Ubique tres tapones en la parte superior del gabinete. Transfiera los tapones a los orificios que quedaron al quitar la bisagra.
- Ensamble la cubierta la bisagra superior, la bisagra superior, las cuñas de la bisagra, y la cuña de colocación. Sujételas, sin apretar, al lado opuesto del gabinete para dejar espacio libre a la puerta.
- Coloque la puerta del refrigerador en el pasador de la bisagra central.
- Mientras sostiene la puerta del refrigerador, use una moneda pequeña encima para separar la puerta $\frac{11}{16}$ " (18 mm) del gabinet. Use las cuñas de plástico detrás de la bisagra central para proporcionarle más espacio si fuera necesario.
- El lado del asa de la puerta debe estar aproximadamente a $\frac{1}{8}$ " (3 mm) más alto uqe el lado de la bisagra. **La puerta se nivelará cuando se llene con alimentos.**
- Apriete todos los tornillos de la bisagra superior para asegurar la puerta del refrigerador. Coloque a presión de la bisagra.



8. Revise que la unidad esté nivelada apropiadamente siguiendo las instrucciones en la sección titulada *Nivelación del refrigerador*, comenzando en el paso tres.

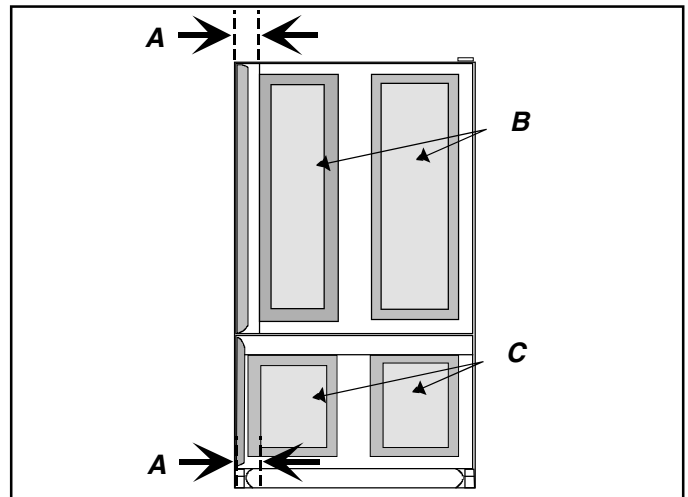
Instalación de los paneles decorativos (en algunos modelos)



ADVERTENCIA

Para evitar el riesgo de lesiones personales o daños materiales, el panel de la sección de Alimentos frescos no debe pesar más de 30 libras (14 kg) y el panel de congelador no debe pesar más de 15 libras (7 kg).

Si se usan paneles en relieve, deje cuando menos $2\frac{1}{2}$ " de espacio libre entre el borde levantado del panel y el asa del refrigerador.

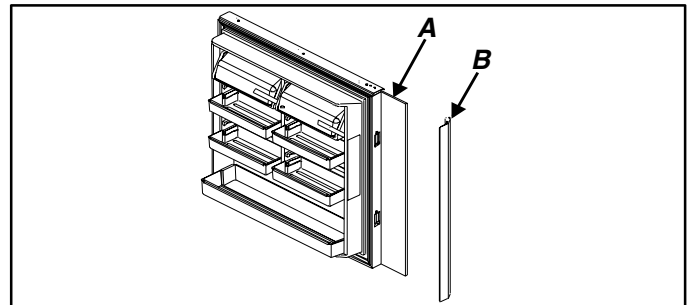


A $2\frac{1}{2}$ " distancia mínima entre el borde del panel elevado al borde de las puertas.

B Paneles decorativos aplicados o en relieve $41" \times 35\frac{5}{8}"$ (104cm x 90.5cm)

C Paneles decorativos aplicados o en relieve $23\frac{11}{16}" \times 35\frac{5}{8}"$ (60.2cm x 90.5cm)

1. Quite el tapón superior de la puerta y el asa de la puerta del refrigerador. Deslice el panel dentro del canal que proporciona el tapón inferior de la puerta. Cuando reemplace el asa, oprima el panel aplanado contra la puerta y deslice el asa hacia abajo de modo que el borde sobrepuesto del asa se deslice sobre el panel para asegurar el ajuste. Vuelva a colocar el tapón de la puerta.



A Panel de la puerta del refrigerador

B Asa del refrigerador

2. Abra la puerta 90° y desatornille el tapón superior de la puerta del congelador. Cierre la puerta. Deslice el adorno hacia adelante hasta que se separe de la puerta. Abra la puerta. Quite el asa de la puerta según el paso 5.
3. Deslice el panel dentro del canal que proporciona el tapón inferior de la puerta. Cuando reemplace el asa, oprima el panel aplanado contra la puerta y deslice el asa hacia abajo de modo que el borde sobrepuesto del asa se deslice sobre el panel para asegurarlo. Coloque nuevamente el tapón y los tornillos de la puerta.

Lista de verificación de la instalación

Esta lista de verificación sirve para llevar un registro personal exclusivamente.

Consumidor Instalador

Puertas

Los tiradores están firmemente adheridos a las puertas.

El lado del refrigerador que tiene el tirador está aproximadamente $\frac{1}{8}$ de pulgada (3 mm) más alto que el lado donde está la bisagra. (La puerta se baja cuando el refrigerador está lleno con alimentos).

Las puertas se sellan completamente al gabinete del refrigerador.

Nivelación

El refrigerador está inclinado $\frac{1}{4}$ " (6 mm) de adelante hacia atrás.

Las roscas estabilizadoras están firmes sobre el piso.

La rejilla inferior está unida correctamente al refrigerador.

Máquina de hacer hielo (algunos modelos)

La línea de suministro del agua al refrigerador está abierta.

No hay goteras de agua en la conexión entre la línea de suministro de la casa y el refrigerador. (24 horas más tarde el consumidor debería revisar la conexión para ver si hay goteras).

El brazo de la máquina de hacer hielo está hacia abajo para producir hielo. (La producción del primer lote de hielo puede tardar hasta 24 horas).

Literatura sobre el producto

El manual del propietario ha sido revisado incluyendo la siguiente información:

- tarjeta de registro del producto
- controles de Alimentos frescos y del Congelador
- cajón de humedad controlada de alimentos frescos
- cajón de temperatura controlada
- ruidos del funcionamiento normal

Notas _____

Firma del consumidor

Firma del instalador

Nombre/Número de teléfono de la
compañía instaladora

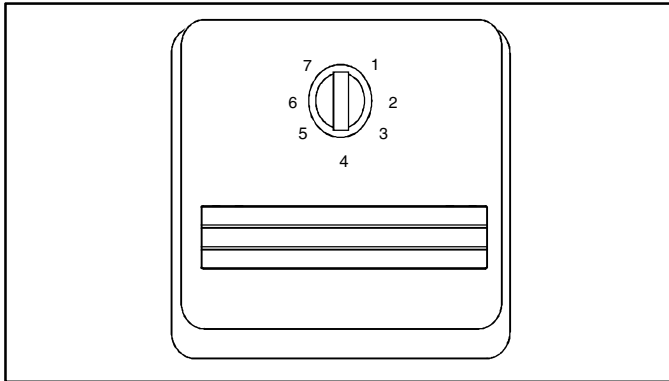
Fecha

Controles

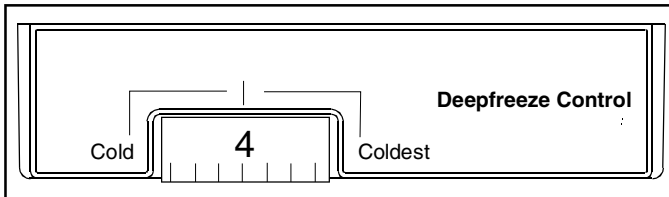
Este refrigerador funciona con mayor eficacia a temperaturas normales de casa, entre 55° y 110°F (13° y 43°C).

Controles de Alimentos frescos y del Congelador

El control de Alimentos frescos está ubicado en la parte superior de la pared trasera de la sección de Alimentos frescos.



El control del congelador está ubicado en el techo delantero del lado derecho de la sección congelador.



Cuando el control del congelador está en la posición *OFF*, ni la sección de Alimentos frescos ni la del congelador enfriarán. Inicialmente fije ambos controles en 4. Espere 24 horas hasta que las secciones de Alimentos frescos y congelador alcancen las temperaturas deseadas. Después de 24 horas, ajuste los controles, un solo número a la vez, según se desee. El 1 es el menos frío y el 7 el más frío.

Ajuste de los controles

Ajuste con precisión los controles utilizando un termómetro común que abarque temperaturas entre -5° y 50°F (-21° y 10°C).

Coloque cómodamente el termómetro entre paquetes congelados en la sección del congelador y espere de 5 a 8 horas. Si la temperatura de la sección del congelador no se encuentra entre 0° y 2°F (-17° y -16°C), ajuste el control, un solo número a la vez. Compruebe nuevamente después de 5 a 8 horas.

Coloque el termómetro en un vaso de agua en medio de la sección de Alimentos frescos y espere de 5 a 8 horas. Si la temperatura de la sección de Alimentos frescos no se encuentra entre 38° y 40°F (3° y 4°C), ajuste el control, un solo número a la vez. Compruebe nuevamente después de 5 a 8 horas.

Características de la sección de Alimentos frescos

PRECAUCIÓN

Para evitar daños a la propiedad, verifique que la repisa esté bien instalada antes de colocar artículos en la misma.

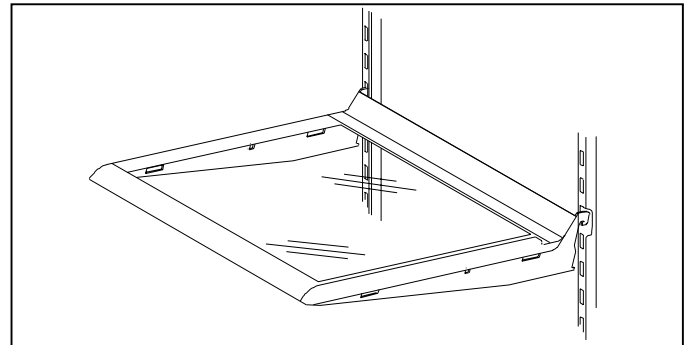
Repisas Spillsaver™

Las repisas Spillsaver™ se ajustan para satisfacer las necesidades individuales de almacenamiento y contener los derrames menores para facilitar la limpieza.

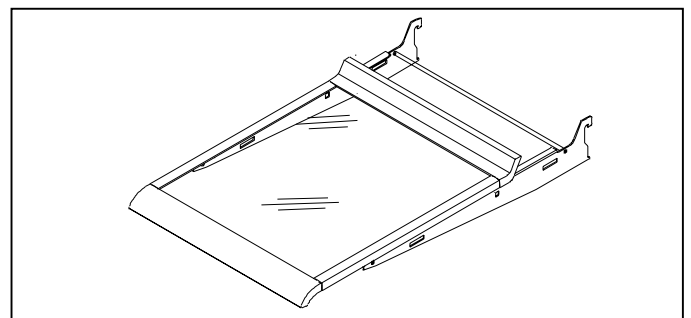
PRECAUCIÓN

Maneje con cuidado las repisas de vidrio templado para evitar lesiones personales o daños a la propiedad. Las repisas se pueden romper súbitamente si sufren raspaduras, golpes o se exponen a cambios repentinos de temperatura.

- Quite las repisas levantando desde el frente y soltando los ganchos de la guía de metal.
- Vuelva a colocar las repisas insertando los ganchos en la guía de metal y bajando el frente.



Las repisas EasyGlide™ se pueden jalar hacia adelante para sacar más fácilmente los artículos que están atrás.

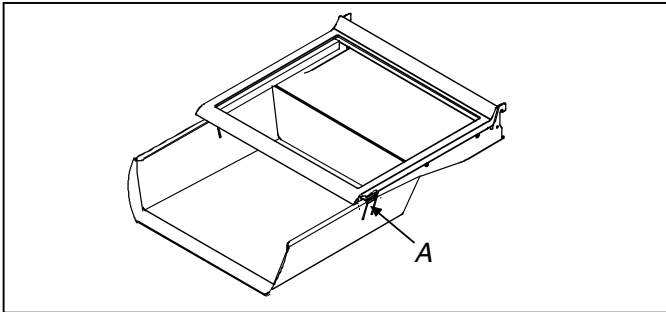


Deli Port™

Deli Port™, ubicado debajo de la repisa Spillsaver™, proporciona almacenaje que ahorra espacio y se puede jalar hacia adelante para un fácil acceso.

- Quite la repisa jalando hacia adelante hasta que se detenga la misma. Oprima las pestañas laterales y jale la repisa hacia adelante.

- Vuelva a colocar la repisa insertándola en la guía de metal y deslizándola hacia atrás.



A Lengveta

Cajones

Cajón para alimentos frescos de humedad controlada

El cajón de la derecha es el de humedad controlada. Este cajón conserva frescas las frutas y legumbres por más tiempo. Envuelva bien los productos. No los lave antes de colocarlos en los cajones para alimentos frescos. El exceso de humedad podría causar que los productos se pudran prematuramente. No forre los cajones para alimentos frescos con toallas de papel. Las toallas de papel retienen la humedad.

El control de humedad está ubicado debajo del adorno de la repisa delantera. El control ajusta la temperatura en el cajón. Gire el control hacia la derecha para productos que tengan hojas, como la lechuga, espinacas o repollo. Gire el control a la izquierda para productos que tengan cáscara, como la coliflor, los elotes o los tomates.

Cajón de temperatura controlada

El cajón de la izquierda es el de temperatura controlada. Este cajón conserva frescos los alimentos por más tiempo y hasta 5°F (3°C) más fríos que la temperatura de Alimentos frescos. Utilice este cajón para almacenar los productos deli o frutas y legumbres adicionales.

El control de temperatura está ubicado debajo del adorno de la repisa delantera. El control ajusta la cantidad de aire que circula alrededor del cajón. Gire el control hacia la izquierda para la temperatura normal de la sección de Alimentos frescos y hacia la derecha para la temperatura más fría. Es posible que se formen cristales de hielo en el cajón o en los alimentos en la posición de frío máximo. El aire frío puede disminuir la temperatura de la sección de Alimentos frescos. Tal vez sea necesario ajustar el control de Alimentos frescos.

Quite las repisas y cajones realizando los siguientes pasos:

1. Abra el cajón izquierdo*.

*Para las puertas con las bisagras en el lado izquierdo, abra el cajón derecho.



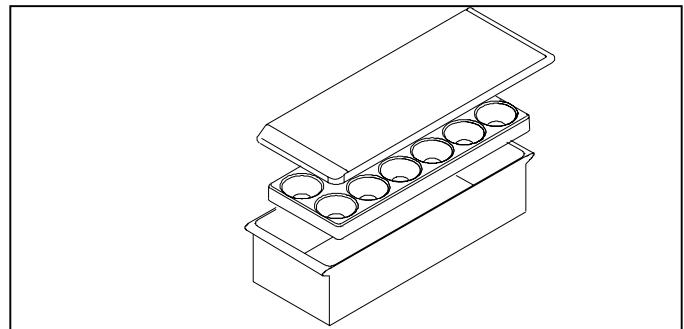
PRECAUCIÓN

Maneje con cuidado las repisas de vidrio templado para evitar lesiones personales o daños a la propiedad. Las repisas se pueden romper súbitamente si sufren raspaduras, golpes o se exponen a cambios repentinos de temperatura.

2. Quite la repisa empujando suavemente hacia arriba desde abajo. Incline un extremo hacia arriba luego jálelo.
3. Quite el cajón izquierdo* levantando la parte delantera mientras lo sostiene por debajo y luego jálelo.
*Para las puertas con las bisagras en el lado izquierdo, quite el cajón derecho.
4. Extraiga el poste de soporte del hueco en el centro de la parte inferior de la sección de Alimentos frescos jalándolo.
5. Quite el otro cajón para alimentos frescos deslizándolo hacia la pared opuesta. Levante la parte delantera del cajón mientras lo sostiene por debajo y luego jálelo.
6. Vuelva a colocar los cajones y repisas repitiendo los pasos del 1 al 5 en orden inverso.

Recipiente cubierto para almacenamiento

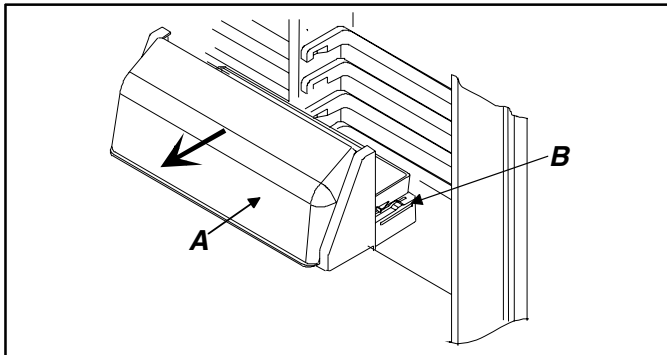
Este recipiente tiene una tapa y una bandeja desmontable para huevos. Cuando se saca la bandeja, se pueden acomodar artículos tales como cajas regulares de huevos, hielo, etc.



Centros para productos lácteos

Los centros para productos lácteos guardan mantequilla, quesos, etc. en un lugar fácil y conveniente.

- Quite los centros para productos lácteos levantando la puerta, empujando las pestañas hacia el centro y jalando hacia afuera.
- Vuelva a colocar los centros para productos lácteos deslizándolos hasta que la pestañas encajen en su sitio y luego baje la puerta.

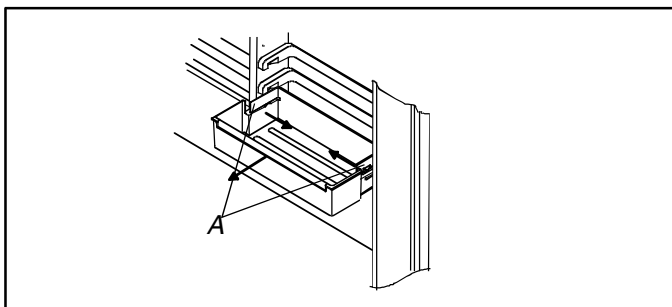


A Puerta B Lengveta

Compartimientos de la puerta

Los compartimientos de la puerta se ajustan para satisfacer las necesidades individuales de almacenamiento.

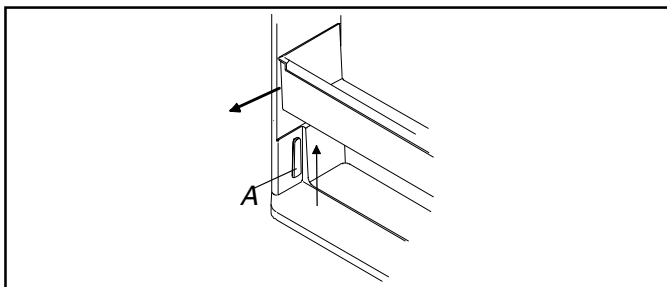
- Quite los compartimientos de la puerta empujando las lenguetas hacia el centro y jalando hacia afuera.
- Vuelva a poner los compartimientos de la puerta deslizándolos hasta que las pestañas encajen en su sitio.



A Lenguetas

Repisa de la puerta

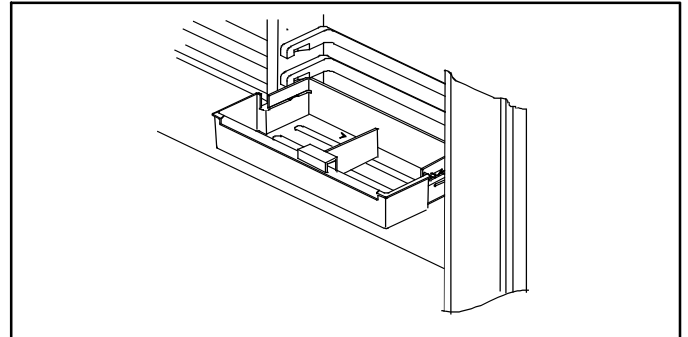
- Quite la repisa de la puerta levantándola de los extremos y jalando hacia afuera.
- Vuelva a colocar la repisa colocándola en las guías y deslizándola hacia abajo.



A Guía

Separadores ajustables

Los separadores ajustables mantienen los artículos en su sitio y se ajustan para satisfacer las necesidades individuales de almacenamiento. Los separadores caben en cualquier compartimiento de la puerta de Alimentos frescos o cualquier repisa de la puerta.



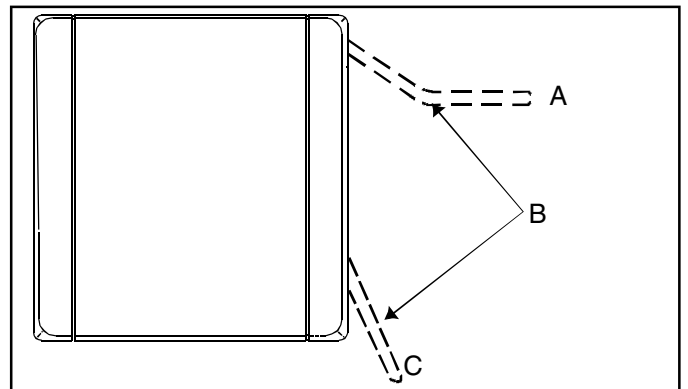
Características congelador

Sistema sin escarcha (Frost-Free)

Las secciones del refrigerador y del congelador se mantienen completamente sin escarcha. La descongelación es automática bajo condiciones normales. Nunca se tiene que descongelar la sección del refrigerador ni la del congelador.

Máquina de hielo automática (en algunos modelos)

- Verifique que los recipientes para hielo estén en su sitio y que el brazo de la máquina de hielo esté hacia abajo.



A Posición "Off" (desactivada)

C Posición "On" (activada)

B Brazo de la máquina de hielo

- Después que la sección del congelador alcanza la temperatura normal, la máquina de hielo se llena de agua y comienza a funcionar. Espere de 24 a 48 horas después de instalarla para que los hielos estén listos. La máquina de hielo produce de 7 a 9 raciones de hielo durante 24 horas bajo condiciones ideales.
- Después de que se forma el hielo, la máquina deja caer los hielos adentro del recipiente de hielo.

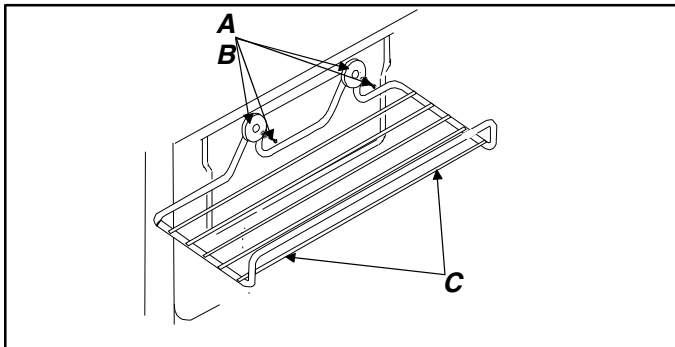
Mientras el hielo se está haciendo, el brazo de la máquina se levanta y se baja. Cuando el recipiente de hielo se llena, el brazo de la máquina la desconecta.

Nota: Deseche las tres primeras raciones de hielo para que no consumir ninguna impureza que quede en la línea de agua al instalarla.

- Si desea detener la producción automática de hielo levante el brazo de la máquina. Se escucha claramente un chasquido cuando se coloca en la posición adecuada. El brazo de la máquina se quedará en esta posición hasta que se empuje hacia abajo.

Rejilla para servicio de hielo (en algunos modelos)

Instale la rejilla para servicio de hielo realizando los pasos siguientes con un desarmador Phillips:



A Arandela
B Tornillos
C Rejilla para servicio de hielo

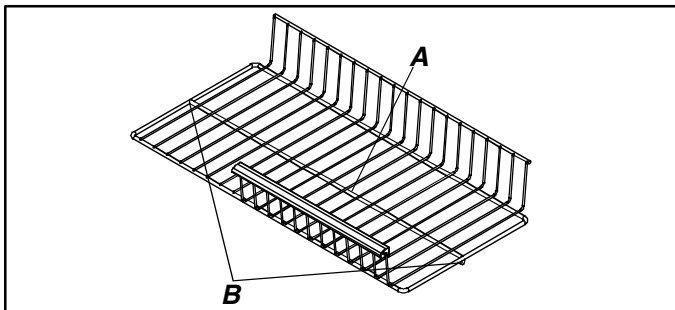
PRECAUCIÓN

Verifique que la repisa esté segura antes de colocar artículos en ella para evitar daños materiales.

Repisa deslizable (en algunos modelos)

Las repisas deslizables se pueden jalar hacia el frente para tener un acceso fácil a los artículos colocados en la parte posterior.

- Para quitar la repisa deslizable tire de ella hacia el frente hasta que la punta de bola debajo del riel central se acomode en el canal de la moldura.
- Sostenga la repisa por el riel central, jale hacia arriba y retírela.
- Deslícelo hacia adentro hasta que la punta de bola caiga en el canal de la moldura.

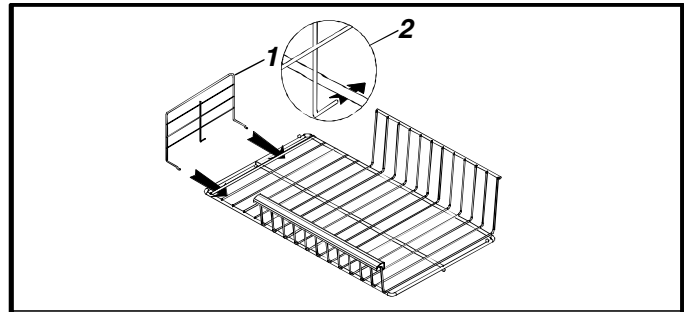


A Riel central
B Punta de bola

Separador vertical de repisa (en algunos modelos)

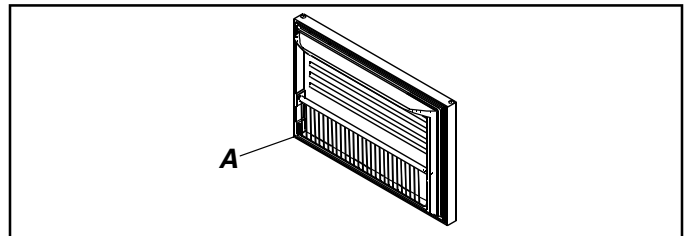
Instale el separador vertical de repisa siguiendo los pasos a continuación:

1. Deslice las puntas del separador de repisa debajo de la rejilla que se desee, ligeramente fuera de centro del riel central.
2. Oprima la parte superior del divisor y deslice el ensamble de gancho debajo del riel central.



Pivot Bin™

El Pivot Bin™ proporciona un almacenamiento conveniente para los artículos congelados en la puerta del congelador y se inclina hacia adelante para facilitar el acceso a dichos artículos.



A Pivot Bin™

Cuidado y limpieza

ADVERTENCIA

Para evitar descargas eléctricas que pueden causar lesiones personales graves o la muerte, desconecte la energía del refrigerador antes de limpiarlo. Después de limpiarlo, conecte la energía.

PRECAUCIÓN

Lea y siga las instrucciones del fabricante de los productos de limpieza para evitar lesiones personales o daños a la propiedad.

Puertas y Exterior Texturizados

1. Lave las superficies con cuatro cucharadas (60 ml) de bicarbonato de sodio disuelto en un cuarto de galón (1 l) de agua tibia utilizando un trapo suave y limpio.
2. Enjuague las superficies con agua tibia. Seque las superficies con un trapo suave y limpio.
 - No utilice los siguientes productos:

- limpiadores abrasivos o ásperos tales como amoníaco, cloro, etc.
- detergentes o disolventes concentrados
- estropajos metálicos

Estos productos pueden rayar, rajar y decolorar las superficies.

- No lave las repisas, recipientes, etc. en un lavaplatos automático.

Limpeza del acero inoxidable

Los daños al acabado del acero inoxidable debidos al uso incorrecto de los productos de limpieza, o al uso de productos de limpieza no recomendados, no están cubiertos por la garantía.

Para obtener la lista de los productos recomendados por Amana, llame a nuestra división de Asuntos del Cliente al **1 (800) 843-0304** o comuníquese con nosotros en el sitio Web www.amana.com.

1. Lave las superficies con agua jabonosa tibia y un paño o una esponja suave y limpia.
 2. Enjuague las superficies con agua tibia. Seque las superficies con un paño suave y limpio.
- No use los siguientes limpiadores abrasivos:
 - limpiadores abrasivos o ácidos (amoníaco, cloro, blanqueador, productos con base de vinagre, etc.)
 - limpiadores con base de cítricos
 - almohadillas de estropajo (metálicas, con textura de plástico, etc.)

Estos artículos pueden rallar, decolorar o manchar permanentemente las superficies.

3. A continuación, enjuague inmediatamente y séquelo con un paño suave y limpio. Esto evitará que se manche con gotas de agua el acabado de acero inoxidable.

Eliminación de olores

1. Saque todos los alimentos.
2. Lave todas las superficies interiores incluyendo el techo, el piso y las paredes, de acuerdo con las instrucciones de limpieza de la sección "Generalidades". Preste atención especial a las esquinas, hendiduras y ranuras. Incluya todos los accesorios, cajones, repisas y empaques.
3. Lave y seque todas las botellas, frascos y recipientes antes de volver a meter los alimentos al refrigerador. Guarde todos los alimentos en recipientes sellados herméticamente para evitar malos olores adicionales. Después de 24 horas revise si se ha eliminado el olor.

Si no se ha eliminado el olor, siga los siguientes pasos.

4. Complete los pasos del 1 al 2.
5. Coloque los cajones para alimentos frescos en la repisa superior de la sección de Alimentos frescos. Llene las secciones de Alimentos frescos y congelador, incluyendo las puertas, con hojas estrujadas de periódico blanco y negro.

6. Coloque pedazos de carbón en diferentes lugares del periódico.
7. Cierre las puertas y deje reposar de 24 a 48 horas.
8. Saque los pedazos de carbón y los periódicos.
9. Complete los pasos del 2 al 3.

Si aún no se ha eliminado el olor, comuníquese con el Departamento de asuntos del consumidor.

Adhesivos

1. Elimine el residuo de goma frotando un poco de pasta dental sobre el adhesivo hasta aflojarlo.
2. Enjuague la superficie con agua tibia. Seque la superficie con un trapo limpio y suave.

Empaques de la puerta

1. Limpie los empaques de la puerta cada tres meses de acuerdo con las instrucciones de limpieza de la sección "Generalidades".
2. Aplique una capa delgada de vaselina para mantener la flexibilidad de los empaques.

Serpentines del condensador

Limpie el serpentín del condensador cada tres meses para asegurar un funcionamiento óptimo del refrigerador. La acumulación de polvo y pelusas puede causar lo siguiente:

- menor rendimiento de enfriamiento
- aumento del consumo de energía
- falla prematura de las piezas

1. Quite la rejilla inferior sosteniéndola de los extremos y jalándola hacia adelante.
2. Limpie la superficie delantera del serpentín con la boquilla de manguera de una aspiradora.
3. Vuelva a colocar la rejilla inferior insertando y encajando las presillas en los agujeros del gabinete.

Repisas de vidrio



PRECAUCIÓN

Maneje con cuidado las repisas de vidrio templado para evitar lesiones personales o daños a la propiedad. Las repisas se pueden romper súbitamente si sufren raspaduras, golpes o se exponen a cambios repentinos de temperatura.

Saque la repisa bajando el frente de la misma y soltando los ganchos de los rieles metálicos, luego jale la repisa hacia adelante. Colóquela sobre una toalla y permita que la repisa se adapte a la temperatura ambiental durante una hora antes de limpiarla.

Limpie las hendiduras haciendo lo siguiente:

1. Diluya un detergente suave y frótelo en las hendiduras usando un cepillo de plástico. Déjelo reposar durante cinco minutos.
2. Rocíe agua tibia en las hendiduras usando un aditamento para rociar agua desde el grifo.
3. Seque bien la repisa y vuelva a colocarla insertando los ganchos en los rieles metálicos y bajando la parte delantera.

Sugerencias para las vacaciones

Focos

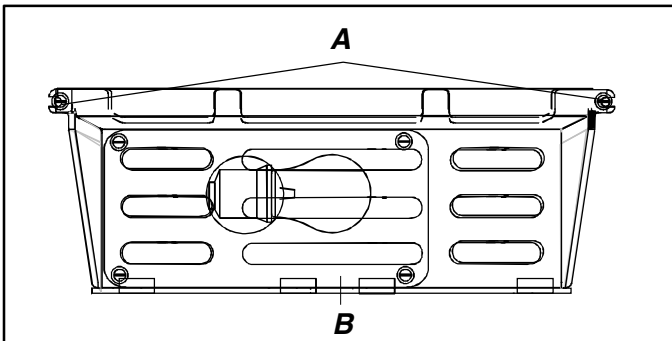
ADVERTENCIA

Para evitar descargas eléctricas que pueden causar lesiones personales graves o la muerte, desconecte la energía del refrigerador antes de reemplazar el foco. Después de reemplazar el foco, conecte la energía.

PRECAUCIÓN

Lleve a cabo lo siguiente para evitar lesiones personales o daños a la propiedad:

- Permita que se enfríe el foco.
 - Use guantes para cambiar el foco.
- Quite la cubierta del foco sacando los tornillos hexagonales de $\frac{1}{4}$ ". Cambie el foco por uno para electrodomésticos que no sea de más de 60 vatios.
 - Vuelva a colocar la cubierta del foco con los tornillos hexagonales de $\frac{1}{4}$ ".



A Tornillos hexagonales de $\frac{1}{4}$ " de pulgada (6mm)

B Cubierta del foco

Sugerencias para conservar energía

Este refrigerador ha sido diseñado para ser uno de los refrigeradores de mayor rendimiento de energía disponibles. Reduzca el consumo de energía llevando a cabo lo siguiente.

- Hágalo funcionar a temperaturas normales entre 55° y 110°F (13° y 43°C) alejado de las fuentes de calor y de la luz directa del sol.
- Fije los controles de Alimentos frescos, congelador y del cajón a una temperatura no más fría de la necesaria.
- Mantenga llena la sección del congelador.
- Mantenga los empaques de la puerta limpios y flexibles. Cambie los empaques si están gastados.
- Mantenga limpios los serpentines del congelador.

Siga los siguientes pasos en caso de tomarse vacaciones breves.

1. Saque los alimentos que se puedan echar a perder. **La garantía no cubre las pérdidas de alimentos.** Revise su certificado de garantía para ver si cubre algo en específico.
2. Si tiene instalada una máquina de hacer hielo, ponga el brazo de la máquina en posición desactivada.

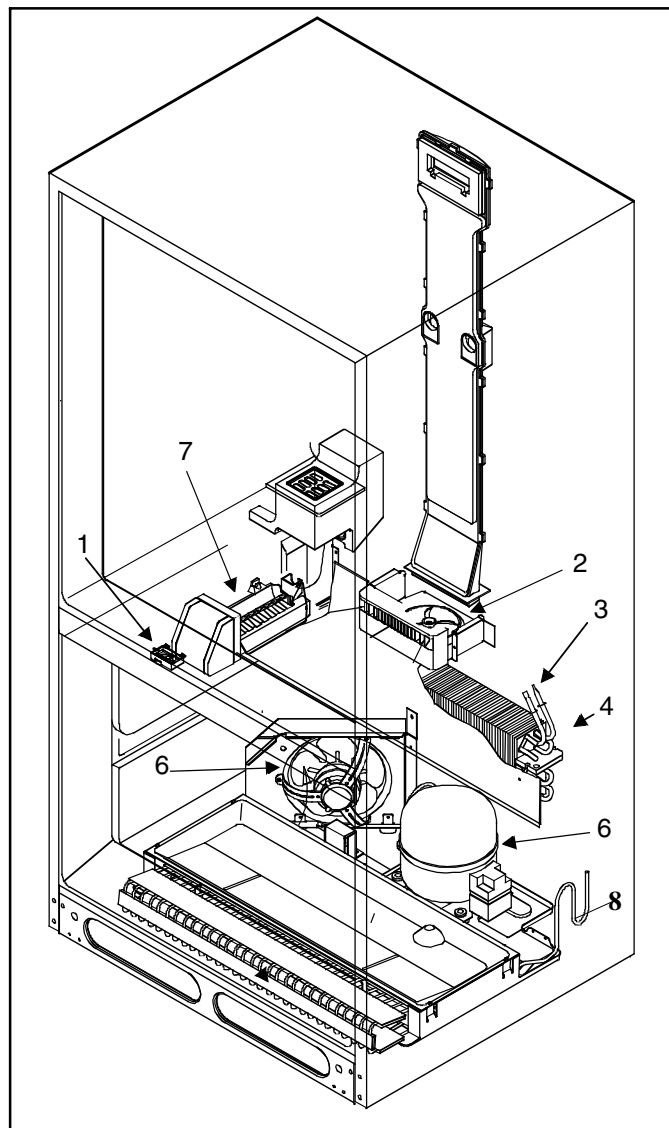
Siga los siguientes pasos en caso de tomarse vacaciones largas.

1. Vacíe las secciones de Alimentos frescos y congelador.
2. Desenchufe el refrigerador.
3. Limpie el interior del refrigerador y los empaques de las puertas de acuerdo con las instrucciones de limpieza de la sección "Generalidades" en la sección "Cuidado y limpieza".
4. Deje las puertas abiertas para que pueda circular el aire en el interior.
5. Si tiene instalada una máquina de hacer hielo, cierre el suministro de agua al refrigerador y ponga el brazo de la máquina en posición desactivada.

Sonidos normales de funcionamiento

Es posible que este refrigerador nuevo esté reemplazando a uno de diferente diseño, menos eficiente o más pequeño. Los refrigeradores actuales tienen características nuevas y un mejor rendimiento de energía. Como resultado de esto, ciertos sonidos pueden parecer poco comunes. Estos sonidos son normales y pronto le serán familiares. Estos sonidos indican también que el refrigerador está funcionando y rindiendo según su diseño.

1. **Control del congelador** El control del congelador hace un clic al arrancar o detenerse el compresor.
2. **Ventilador del congelador** El aire del ventilador del congelador se acelera y zumba.
3. **Sistema sellado** (evaporador e intercambiador de calor) El flujo del refrigerante del sistema sellado gorgojea, revienta o suena como agua hirviendo.
4. **Calentador de descarchado** El calentador de descarchado hace chirridos, silba o revienta.
5. **Ventilador del condensador** El aire del ventilador del condensador se acelera y zumba.
6. **Compresor** El compresor tiene un sonido de tarareo o pulsante.
7. **Cubos de hielo** Los cubos de hielo de la máquina de hacer hielo (en algunos modelos) caen al recipiente.
8. **Conexión de la válvula de agua** de la máquina de hacer hielo. Esta conexión (en algunos modelos) zumba cuando se llena con agua la máquina de hacer hielo. Esto ocurre ya sea que el refrigerador esté conectado o no al suministro de agua. Si no está conectado, anule el ruido colocando el brazo de la máquina de hacer hielo en la posición desactivada.



Nota: El aislamiento de espuma tiene muy buen rendimiento de energía y excelente capacidad aislante. Sin embargo, no absorbe el ruido como el aislamiento de fibra de vidrio que se usaba anteriormente.

Antes de llamar para solicitar servicio

Problema	Solución
El refrigerador no funciona.	<ul style="list-style-type: none"> • Compruebe que el control del congelador esté activado. • Compruebe que el refrigerador esté enchufado • Revise el fusible o cortacircuitos. Enchufe otro artefacto en ese tomacorriente de pared. • Espere 40 minutos para ver si vuelve a arrancar el refrigerador. Si el control del congelador está activado, funcionan las luces pero no funcionan los dos ventiladores ni el compresor, el refrigerador podría estar en el ciclo de descarchado.
Aún no funciona el refrigerador.	<ul style="list-style-type: none"> • Desenchufe el refrigerador. Cambie los alimentos a otra unidad o ponga hielo seco en la sección del congelador para conservar los alimentos. La garantía no cubre las pérdidas de alimentos. Revise su certificado de garantía para ver si cubre algo en específico. • Llame al 1-800-628-5782 dentro de los EE.UU. y al 1-319-622-5511 fuera de los EE.UU. para localizar un técnico de Amana autorizado.
La temperatura de los alimentos parece demasiado alta.	<ul style="list-style-type: none"> • Vea las secciones anteriores. • Deje que transcurra suficiente tiempo para que los alimentos calientes que se acaban de añadir alcancen la temperatura de Alimentos frescos o del congelador. • Revise los empaques de la puerta para ver si sellan correctamente. • Limpie los serpentines del condensador. • Ajuste el control de Alimentos frescos y/o del congelador.
La temperatura del cajón de temperatura controlada es demasiado alta.	<ul style="list-style-type: none"> • Fije el control en un ajuste más frío. • Ajuste el control del congelador a una posición de menor temperatura.
La temperatura de los alimentos es demasiado fría.	<ul style="list-style-type: none"> • Limpie los serpentines del condensador. • Ajuste el control de Alimentos frescos. • Ajuste el control del congelador a una posición de mayor temperatura. Deje que transcurran varias horas para que se ajuste la temperatura.
El refrigerador funciona con demasiada frecuencia.	<ul style="list-style-type: none"> • Podría ser normal para mantener una temperatura constante. • Podría ser que se hayan abierto las puertas con frecuencia o durante un período de tiempo prolongado. • Deje que transcurra suficiente tiempo para que los alimentos calientes que se acaban de añadir alcancen la temperatura de Alimentos frescos o del congelador. • Limpie los serpentines del condensador. • Ajuste el control del congelador. • Revise los empaques de la puerta para ver si sellan correctamente.
Se forman gotas de agua adentro del refrigerador	<ul style="list-style-type: none"> • Es normal durante períodos de mucha humedad o si se han abierto las puertas con mucha frecuencia.
Se forman gotas de agua afuera del refrigerador	<ul style="list-style-type: none"> • Revise los empaques de la puerta para verificar que cierren correctamente.

Problema	Solución
Los cajones no cierran libremente	<ul style="list-style-type: none"> • Revise si algún paquete está evitando que el cajón cierre apropiadamente. • Verifique que el cajón esté en la posición correcta. • Limpie los canales del cajón con agua tibia y jabón. Enjuáguelos y séquelos completamente. • Aplique una capa ligera de jalea de petróleo a los canales del cajón. • Confirme que el refrigerador esté bien nivelado.
El refrigerador huele mal.	<ul style="list-style-type: none"> • Vea las instrucciones <i>Eliminación de olores</i> en la sección <i>Cuidado y limpieza</i>.
El refrigerador o la máquina de hacer hielo (en algunos modelos) hacen ruidos poco comunes o que parecen demasiado altos.	<ul style="list-style-type: none"> • Podría ser normal. Consulte la sección de “Ruidos del funcionamiento normal”.
La máquina de hielo (en algunos modelos) no hace hielos.	<ul style="list-style-type: none"> • Verifique que el brazo de la máquina de hielo esté abajo. • Verifique que el suministro de agua doméstica llegue hasta la válvula de agua. • Verifique que el cableado preformado de la máquina de hielos esté completamente insertado en los orificios correctos. • Revise que la tubería de plástico o de cobre no tenga dobleces. Quítele los dobleces o reemplace la tubería. • Revise las conexiones eléctricas al serpentín de la válvula de agua y el bloque conector en el gabinete del refrigerador. • Verifique que la sección congelador \hat{a} esté funcionando a la temperatura correcta.
Los cubos de hielo tienen mal olor.	<ul style="list-style-type: none"> • Consulte las instrucciones para la “Eliminación de olores” en la sección “Cuidado y limpieza”. • Deseche el hielo y lave el recipiente o las bandejas para hielo con más frecuencia. Los cubos de hielo son porosos y absorben olores con facilidad.
Los cubos de hielo se pegan o se “encogen”.	<ul style="list-style-type: none"> • Vacíe el recipiente o las bandejas para hielo con más frecuencia. Si se usan con poca frecuencia, los cubos pueden pegarse o encogerse.
Se forma hielo en el tubo de entrada de la máquina de hielo (en algunos modelos).	<ul style="list-style-type: none"> • Revise la presión del agua. La presión de agua baja causará que la válvula gotee. Las válvulas de penetración causan una presión de agua baja. Amana recomienda que use una válvula de sillín. Comuníquese al 1-800-843-0304 o con un distribuidor Amana para saber la disponibilidad. No utilice válvulas de penetración. Amana no es responsable por daños materiales causados por la instalación o conexión incorrecta del agua.

Garantía

Garantía completa de un año
Garantía completa de cinco años en los componentes del sistema sellado y en el
revestimiento del compartimiento de los alimentos
Garantía limitada de diez años en los componentes del sistema sellado

Primer año

Amana Appliances reparará o reemplazará sin cargo alguno, cualquier pieza que esté defectuosa debido a la mano de obra o a los materiales.

Del segundo al quinto año

Amana Appliances reparará o reemplazará sin cargo alguno, cualquier componente del sistema sellado (compresor, condensador, evaporador y la tubería de interconexión) y reparará cualquier revestimiento del compartimiento de los alimentos (excluyendo el revestimiento de la puerta) que esté defectuoso debido a la mano de obra o a los materiales.

Del sexto al décimo año

Amana Appliances reparará o reemplazará cualquier componente del sistema sellado (compresor, condensador, evaporador y la tubería de interconexión), f.o.b. Amana, Iowa, que esté defectuoso debido a la mano de obra o a los materiales.

Limitaciones de la garantía

- Comienza a partir de la fecha de la compra original.
- Se aplica a productos que se van a usar dentro de los Estados Unidos o en Canadá, si el producto viene de la fábrica con la aprobación de la Asociación de Normas Canadienses.
- El servicio debe realizarlo un técnico de Amana autorizado.

La garantía se anulará si:

- La placa del número de serie está borrosa o ilegible.
- Se le ha dado uso comercial al producto, se ha rentado o alquilado.
- El producto tiene algún defecto o daño debido a un accidente, alteración, conexión eléctrica incorrecta, incendio, inundación, relámpagos, envío o manejo del producto, u otras condiciones fuera del control de Amana Appliances.
- El producto ha sido instalado o usado incorrectamente.

Responsabilidades del propietario

- Proporcionar evidencia de compra (recibo).
- Proporcionar cuidado y mantenimiento normales. Reemplazar los artículos reemplazables por el propietario de acuerdo con las instrucciones que aparecen en el Manual del propietario.
- Permitir que el producto sea razonablemente accesible por el personal de servicio.
- Pagar una compensación de los gastos de servicio por los servicios prestados por el técnico fuera de su horario habitual de trabajo.
- Pagar por las llamadas para solicitar servicio relacionado con la instalación del producto.

En ningún caso Amana Appliances se hará responsable de daños incidentales o emergentes incluyendo la pérdida de alimentos*.

*Esta garantía otorga derechos legales específicos y puede ser que existan otros derechos que difieren de un estado a otro. Por ejemplo, algunos estados no permiten la exclusión o limitación de los daños incidentales o emergentes, por lo tanto tal vez esta exclusión no le afecte a usted.

Amana Appliances
2800 220th Trail
PO Box 8901
Amana, IA 52204-0001
Teléfono 1-319-622-5511
Facsímil 1-319-622-8595

Table des matières

Normes électriques	41
Identification du modèle	41
Service après-vente	41
Plan de service après-vente prolongé Asure ^{MC}	41
Mise au rebut du réfrigérateur	42
Dimensions de découpage	42
Instructions d'installation	42
Inversion des portes (modèles à porte recourbée)	42
Inversion des portes (poignée avant)	42
Inversion des portes (poignées installées sur le côté)	44
Pose des panneaux décoratifs (certains modèles)	47
Raccordement de l'appareil à glaçons à l'alimentation en eau (sur certains modèles)	48
Mise à niveau du réfrigérateur	49
Liste de contrôle d'installation	50
Commandes	51
Commandes congélateur et Aliments frais	51
Réglage des commandes	51
Caractéristiques Aliments frais	51
Clayettes Spillsaver TM	51
Deli Port TM	51
Tiroirs	52
Compartiment de rangement couvert	52
Casier laitier	52
Compartiments de porte	52
Clayette de porte	53
Diviseurs ajustables	53
Conteneur de grands emballages	53
Caractéristiques congélateur	53
Appareil à glace (certains modèles)	53
Grille utilitaire à glaçons (certains modèles)	54
Tablette coulissante (certains modèles)	54
Séparateur de tablette vertical (certains modèles)	54
Pivot Bin TM	54
Entretien et nettoyage	54
Porte texturées et extérieur	54
Nettoyage de L'acier inoxydable	55
Suppression des odeurs	55
Adhésifs	55
Joints de porte	55
Bobines de condensateur	55
Clayettes en verre	55
Ampoules électriques	55
Conseils pour économiser l'énergie	56
Conseils pour les vacances	56
Bruits de fonctionnement normaux	56
Avant d'appeler le technicien	57
Garantie	59

Remarque : une traduction modifie parfois le sens d'un document. Dans tous les cas où le sens diffère, prière de consulter la version anglaise.



Ce symbole indique une mesure de sécurité

Normes électriques

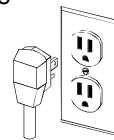


MISE EN GARDE

Pour éviter les chocs électriques pouvant entraîner la mort ou de graves blessures:

- Ne jamais Nichecouper ou enlever la broche ronde de mise à la terre de la niche.
- **Ne jamais utiliser d'adaptateur à deux broches.**
- **Ne jamais utiliser de rallonge.**
- Ne jamais enlever l'étiquette d'avertissement du cordon d'alimentation.
- Le réfrigérateur doit être mis à la terre en tout temps.

Ce réfrigérateur est muni d'une fiche à 3 broches pour prévenir le risque d'électrocution. Si une prise de courant à deux broches est présente, contacter un électricien qualifié et faire remplacer la prise de courant à deux broches par une prise de courant à trois broches correctement mise à la terre conformément aux normes du Code national de l'électricité.



Le réfrigérateur est conçu pour fonctionner sur une ligne de 60 Hz, 15 ampères, 103 à 126 volts.

Identification du modèle

Merci d'avoir fait l'achat d'un réfrigérateur Amana. Veuillez lire attentivement le manuel du propriétaire. Ce manuel renferme des renseignements sur l'entretien de l'appareil. Pour toute question, appeler le service à la clientèle au **1-800-843-0304** aux États-Unis et le **1-319-622-5511** de l'extérieur des États-Unis ou contactez nous par l'internet au www.amana.com.

Remplir la carte d'enregistrement et la renvoyer promptement. S'il n'y a pas de carte d'enregistrement, appeler le service à la clientèle.

Lorsque vous communiquez avec Amana, veuillez fournir les renseignements concernant l'appareil. Ces renseignements apparaissent sur la plaque du numéro de série située dans le coin gauche supérieur du compartiment Aliments fraisTM. Veuillez noter les renseignements suivants:

Numéro de modèle : _____

Numéro de fabrication : _____

Numéro de série : _____

Date d'achat : _____

Nom et adresse du marchand: _____

Service après-vente

Garder une copie de la facture pour référence ultérieure ou en cas d'utilisation de la garantie. Pour toutes questions ou pour localiser un réparateur agréé, appeler le 1-800-NAT-LSVC (1-800-628-5782) pour les États-Unis ou le 1-319-622-5511 hors des États-Unis ou contactez nous par l'internet au www.amana.com. Toute prestation de garantie doit être effectuée par un réparateur agréé. Amana recommande également de contacter un réparateur agréé même lorsque la garantie vient à expiration.

Note de service: modèles à porte recourbée uniquement.

Seul un technicien qualifié peut inverser cette porte. Pour faire inverser les portes, appeler le 1-800-843-0304. Des frais seront exigés pour ce service.

Plan de service après-vente prolongé Asure^{MC}

Amana offre un plan de protection à long terme pour cette cuisinière. Le plan de service après-vente prolongé Asure^{MC} a été créé pour compléter la solide garantie qui couvre votre appareil. Le plan couvre les pièces détachées, la main-d'oeuvre et les frais de transport. Appeler le 1-800-528-2682 pour obtenir tous renseignements ou visitez notre site internet au www.amana.com

Pour obtenir des renseignements supplémentaires, visitez notre site internet:
www.amana.com

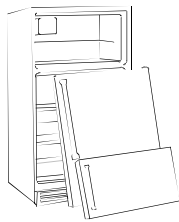
⚠ DANGER

Mise au rebut du réfrigérateur

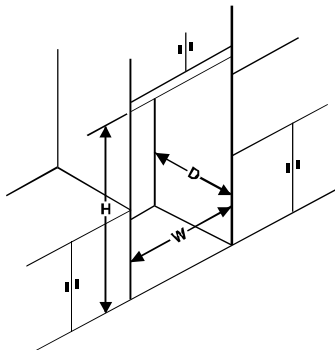
IMPORTANT : Les enfants qui se trouvent enfermés dans un réfrigérateur et y meurent d'asphyxie ne sont pas un problème du passé. Les réfrigérateurs mis au rebut ou abandonnés sont encore dangereux, même s'ils ne sont là que « pour quelques jours ». Lors de la mise au rebut d'un réfrigérateur, veiller à suivre les indications ci-dessous pour éviter les accidents.

AVANT DE JETER VOTRE VIEUX RÉFRIGÉRATEUR OU CONGÉLATEUR :

- Enlever les portes.
- Laisser les étagères en place de façon à ce que les enfants aient des difficultés à se glisser à l'intérieur.



Dimensions de decoupage



	Installation simple
H	<ul style="list-style-type: none"> • 69" avec compartiments profonds de 12" au-dessus du réfrigérateur. • 70" avec compartiments profonds de 24" au-dessus du réfrigérateur
W	36"
D	24"

Instructions d'installation

Une installation adéquate assurera le fonctionnement efficace de ce réfrigérateur. Amana ne peut être tenu responsable en cas d'installation inadéquate.

Outils nécessaires

Couteau de vitrier (lame recouverte de ruban-cache)

Tournevis hexagonal de $\frac{5}{16}$ po

Tournevis hexagonal de $\frac{3}{8}$ po

Tournevis hexagonal de $\frac{1}{4}$ po

Tournevis cruciforme

Tournevis à lame

IMPORTANT :

- Conserver toutes les vis pour les réutiliser.
- Lorsque le retrait du bouchon nécessite l'utilisation d'un tournevis à lame plate ou un couteau à mastic, la **lame de l'outil doit être recouverte de ruban-cache adhésif pour ne pas endommager la finition du réfrigérateur**. Pour les bouchons utilisant une tête de type tournevis ou tourne-écrou, utiliser le tournevis approprié pour éviter d'endommager les bouchons.

⚠ ATTENTION

Pour éviter tous dégâts matériels ou toutes blessures graves, le pied de stabilisation doit reposer fermement sur le plancher.

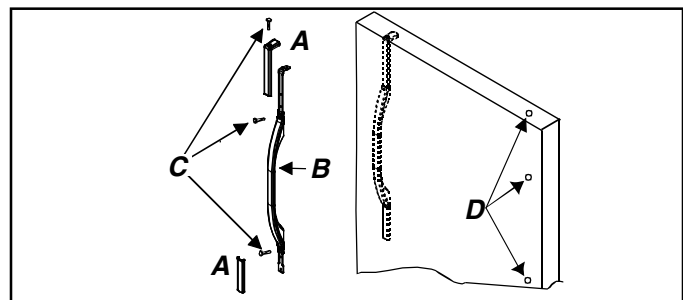
Inversion des portes (modèles à porte recourbée)

Seul un technicien qualifié peut inverser cette porte. Pour faire inverser les portes, appeler le **1-800-843-0304**. Des frais seront exigés pour ce service.

Inversion des portes (poignée avant)

Certaines installations nécessitent l'inversion de la porte pour assurer le mouvement complet de celle-ci. Procéder comme suit pour inverser la porte:

1. Retrait de la poignée de porte du réfrigérateur.
 - Enlever la vis de la poignée se trouvant sur la moulure supérieure de la poignée. Soulever le rebord de la moulure de la poignée à l'aide d'un couteau à mastic recouvert de ruban gommé. Retirer la poignée de porte en enlevant une vis de fixation à chaque extrémité de la poignée.
 - Retirer un bouchon du côté de la charnière supérieure de la porte et deux autres du côté de la charnière avant de la porte. Transférer les bouchons sur le côté opposé de la porte pour remplir les trous de fixation vides.



A Garniture de la poignée

B Poignée

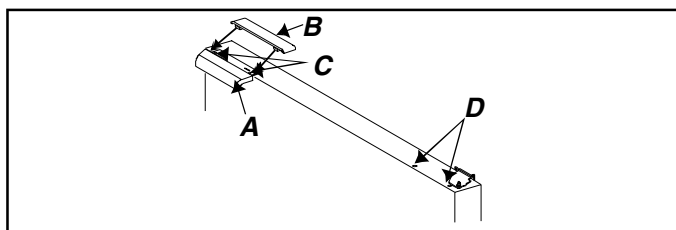
C Vis

D Obturateurs

2. Retrait de la poignée de porte du congélateur.

- Ouvrir la porte du congélateur à 90 degrés. Repérer les deux crans à l'arrière de la poignée de porte du congélateur. Insérer le tournevis plat ou la lame du couteau à mastic recouvert de ruban gommé. Soulever le rebord arrière du capuchon de la poignée et le retirer de la poignée.
- Retirer la poignée de porte en enlevant deux vis de fixation.

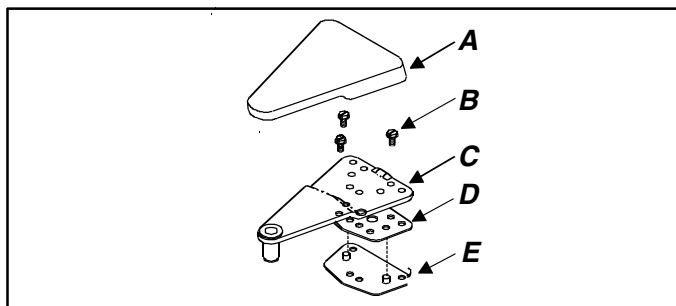
- Retirer deux bouchons du côté de la charnière de la porte du congélateur et les transférer sur le côté opposé pour remplir les trous de fixation laissés vides par le retrait de la poignée.



A Poignée du congélateur C Vis
B Capuchon de la poignée D Obturateur

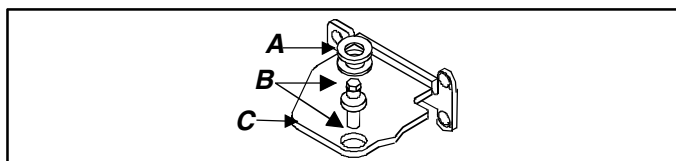
3. Retrait des portes:

- Retirer le couvre-charnière supérieur. Celui-ci s'enlève facilement. Retirer la charnière supérieure et la cale de la charnière à l'aide d'un tournevis à tête hexagonal de $\frac{5}{16}$ po. Décoller la cale de positionnement positif de l'appareil. Retirer toutes les cales et les mettre de côté.
- Garder la surface adhésive de la cale libre de toute poussière ou saleté jusqu'au moment de la remettre en place lors de l'inversion de la charnière supérieure, sinon il ne sera pas possible de la faire adhérer correctement.



A Couvre-charnière supérieur D Cale de charnière
B Vis de $\frac{5}{16}$ po (8 mm) E Cale à positionnement positif
C Charnière supérieure

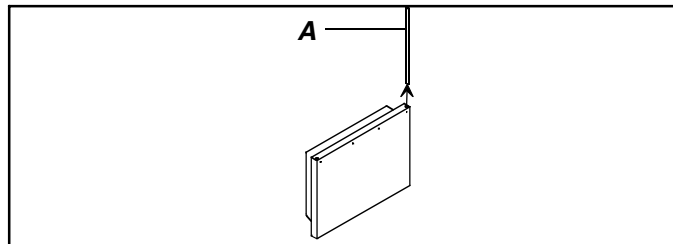
- Enlever la porte du réfrigérateur en la soulevant hors de la broche de la charnière centrale. Inspecter la porte pour s'assurer que toutes les cales accompagnent la broche de charnière.
- Retirer la broche de la charnière centrale à l'aide d'un tourne-écrou de $\frac{1}{4}$ po. Le trou dans lequel s'insère la broche ne lui permet d'avoir aucun jeu, il faudra donc parfois faire fortement pression pour la dégager. Enlever toutes les rondelles de calage et les mettre de côté.
- Retirer la porte du congélateur en la soulevant de la broche de la charnière inférieure.



A Cales ronde C Charnière centrale
B Broche de la charnière centrale

4. Enlever la tige de support interne (certains modèles):

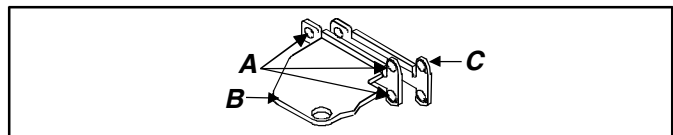
- Certains modèles possèdent une tige de support interne (voir ci-dessous) qui est insérée dans le trou de la charnière de la porte. S'il y a une tige de support dans la charnière, la retirer et la mettre de côté ou la remettre en place par la suite.



A Tige de soutien (certains modèles)

5. Inverser la charnière centrale:

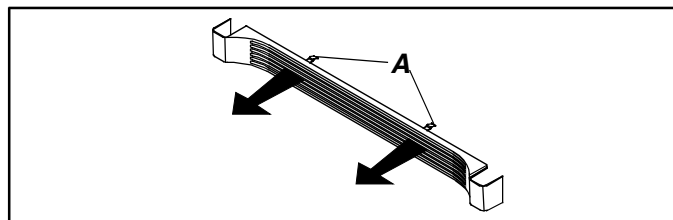
- Retirer le support de la charnière centrale et les cales avec un tournevis cruciforme.
- Retirer les trois vis se trouvant du côté opposé de la charnière centrale et les transférer sur le côté opposé de l'appareil.
- Poser le support sur le côté gauche de l'appareil à l'aide des cales.



A Vis cruciformes C Cale
B Charnière

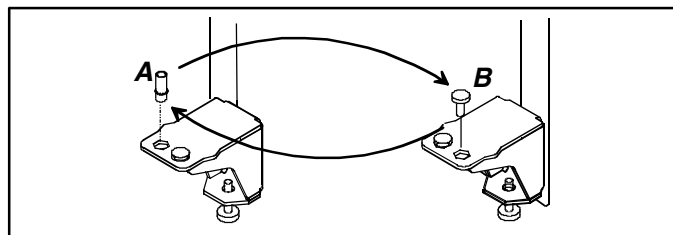
6. Inverser la broche de la charnière inférieure:

- Retirer la grille protectrice en saisissant les deux extrémités et en tirant directement vers soi. La grille se désenclenche.



A Grille protectrice

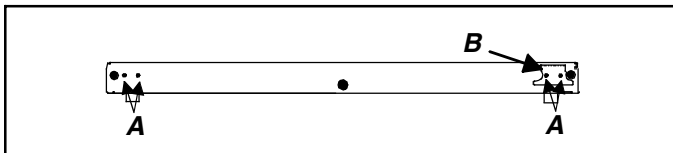
- Échanger la broche de charnière de la charnière inférieure et l'obturateur de trou de charnière extérieur de la charnière inférieure du côté opposé.



A Broche de charnière B Obturateur

7. Inverser les butées de porte:

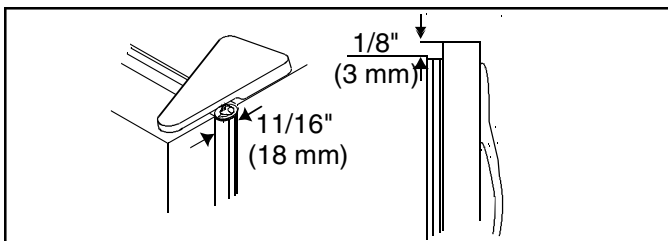
- Repérer la butée de porte sur le rebord inférieur de la porte du réfrigérateur. Dévisser les deux vis cruciformes pour retirer la butée de porte. Retirer les deux vis cruciformes sur le rebord opposé de la porte. Poser la butée de porte sur le côté opposé. Remettre les vis qui restent dans les trous de fixation vides.
- Répéter cette procédure pour inverser la butée de porte du congélateur.



A Vis B Butée de porte

8. Remettre les portes en place:

- Repandre la porte du congélateur en plaçant le trou de la charnière de la porte du congélateur sur la broche de charnière inférieure.
- Tout en soutenant la porte du congélateur, insérer la tige de support interne dans le trou de la charnière et poser la broche de la charnière centrale dans le support de charnière central.
- Serrer la broche de la charnière centrale à l'aide d'un tourne-écrou de 1/4 po afin de maintenir la porte en place. S'assurer qu'il n'y a aucun jeu.
- Repérer les 3 bouchons dans la partie supérieure de l'appareil. Transférer les bouchons dans les trous laissés vides par le retrait de la charnière.
- Assembler la charnière supérieure, la ou les cales de charnière et la cale de positionnement. Les fixer en place sans serrer du côté opposé de l'appareil afin de permettre un espace de dégagement suffisant pour la porte.
- Mettre la porte du réfrigérateur sur la charnière centrale.
- Tout en soutenant la porte du réfrigérateur, utiliser une pièce de dix cents pour espacer la porte de 11/16 po (18 mm) de l'appareil. Utiliser les cales en plastique derrière la charnière centrale pour obtenir plus d'espace si nécessaire.
- Le côté de la poignée de porte doit être environ 1/8 po (3 mm) plus élevé que le côté charnière de la porte. **La porte sera de niveau lorsqu'elle est remplie de nourriture.**
- Serrer toutes les vis de la charnière supérieure pour fixer la porte du réfrigérateur en place. Enclencher le couvre-charnière en place.



9. Poser les poignées:

- Poser la poignée de porte du réfrigérateur sur le côté opposé de la porte à l'aide des vis de fixation retirées lors de l'étape précédente.

- Enclencher la moulure de la poignée et poser les vis.
- Poser la porte du congélateur sur le côté opposé de la porte à l'aide des vis de fixation retirées lors de l'étape précédente.
- Incliner le rebord avant du capuchon de la poignée vers la lèvre arrière de la poignée de porte du congélateur. S'assurer que l'attache inférieure du capuchon de la porte du congélateur glisse sous la lèvre arrière de la poignée de porte du congélateur. Enclencher le rebord arrière du capuchon de la poignée en place.

10. S'assurer que l'appareil est correctement mis à niveau en suivant les consignes de la rubrique *Mise à niveau du réfrigérateur* en commençant à l'étape trois.

Inversion des portes (poignées installées sur le côté)* *portes sans contour seulement

Outils nécessaires

Tournevis cruciformes #1 et # 2

Tournevis à lame plate

Maillet en caoutchouc

Tournevis à tête hexagonale de 1/4 po

Tournevis à tête hexagonale de 3/8 po

Tournevis à tête hexagonale de 5/16 po

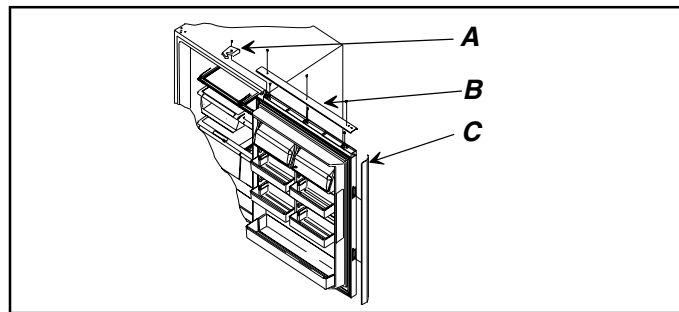
Tournevis à tête hexagonale de 9/32 po

IMPORTANT:

- Conserver toutes les pièces non utilisées avec la documentation ci-jointe.
- Conserver toutes les vis pour les réutiliser.
- Lorsque le retrait du bouchon nécessite l'utilisation d'un tournevis à lame plate ou un couteau à mastic, **la lame de l'outil doit être recouverte de ruban-cache adhésif pour ne pas endommager la finition du réfrigérateur.** Pour les bouchons utilisant une tête de type tournevis ou tourne-écrou, utiliser l'outil approprié pour éviter d'endommager les bouchons.

1. Retirer les portes.

- Retirer les 3 vis cruciformes pour dégager le capuchon supérieur de la porte.



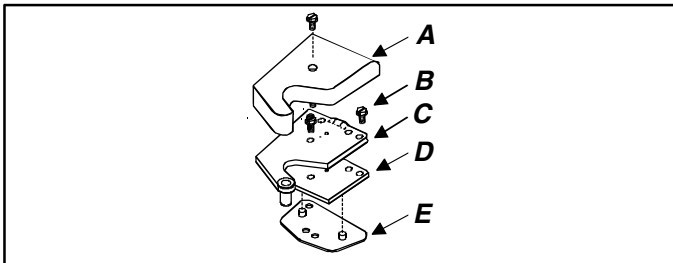
A Couvre-charnière C Poignée de porte
B Capuchon de porte

- Retirer le couvre-charnière en desserrant une vis cruciforme.

2. Enlever les portes:

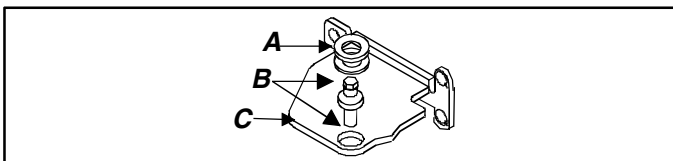
- À l'aide d'un tourne-écrou de 5/16 po, enlever les vis de la charnière supérieure. Décoller la cale à positionnement positif de l'appareil. Enlever toutes les cales et les mettre de côté.

- Garder la surface adhésive de la cale libre de toute poussière ou saleté jusqu'au moment de la remettre en place au cours de l'inversion de la charnière supérieure, sinon il ne sera pas possible de la faire adhérer correctement.



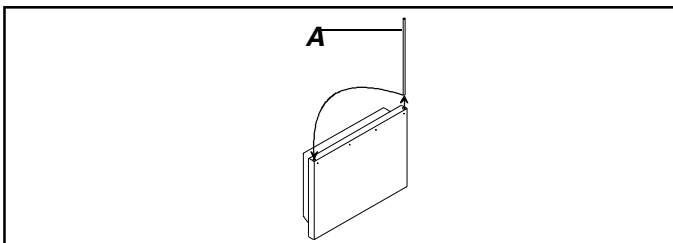
A Couvre-charnière
B Vis de $\frac{5}{16}$ po (8 mm)
C Charnière supérieure
D Cale de charnière
E Cale à positionnement

- Enlever la porte du réfrigérateur en la soulevant de la broche de la charnière centrale. Inspecter la porte pour vérifier que toutes les cales sont bien avec la broche.
- Enlever la broche de la charnière centrale à l'aide d'un tourne-écrou de $\frac{1}{4}$ po. Le trou dans lequel s'insère la broche ne lui permet d'avoir aucun jeu, il faudra parfois faire fortement pression pour la dégager. Enlever toutes les rondelles de calage et les mettre de côté.
- Retirer la porte du congélateur en la soulevant de la broche de la charnière inférieure.
- Retirer la porte du congélateur en la soulevant de la broche de la charnière inférieure.



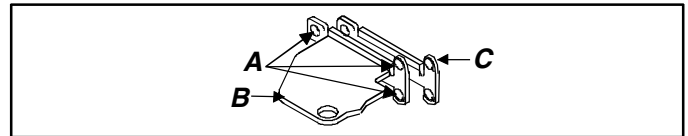
A Dispositif de fermeture de la porte
B Broche de la charnière centrale
C Charnière centrale
D Les cales ronde

- Certains modèles possèdent une tige dew support interne (voir ci-dessous) qui est insérée dans le trou de la charnière de la porte. S'il y a une tige de support dans la charnière, la retirer et la mettre de côté pour la remettre en place par la suite.



A Tige de support (certains modèles)

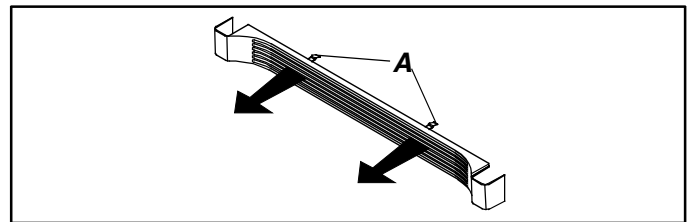
3. Inverser la charnière centrale.
 - Retirer le support de la charnière centrale et les cales avec un tournevis cruciforme.
 - Retirer les trois vis se trouvant du côté opposé de la charnière centrale et les transférer sur le côté opposé de l'appareil.
 - Poser le support sur le côté opposé de l'appareil à l'aide des cales.



A Vis cruciformes
B Vis cruciformes
C Cale

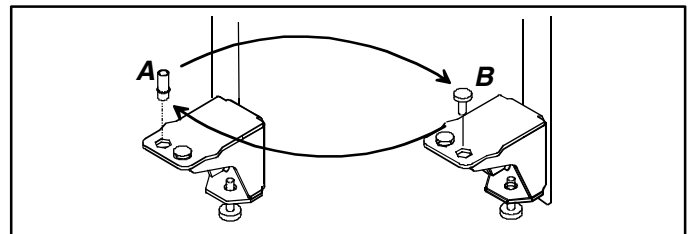
4. Inverser la broche de la charnière inférieure:

- Retirer la grille protectrice en saisissant les deux extrémités et en tirant directement vers soi. La grille se désenclenche.



A Grille protectrice

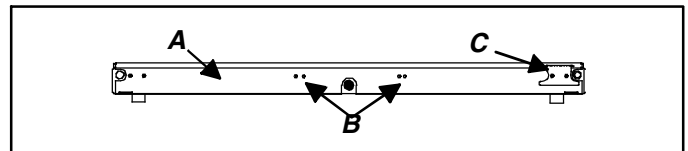
- Échanger la broche de charnière de la charnière inférieure et l'obturateur de trou de charnière extérieur de la charnière inférieure du côté opposé.



A Broche de charnière
B Obturateur

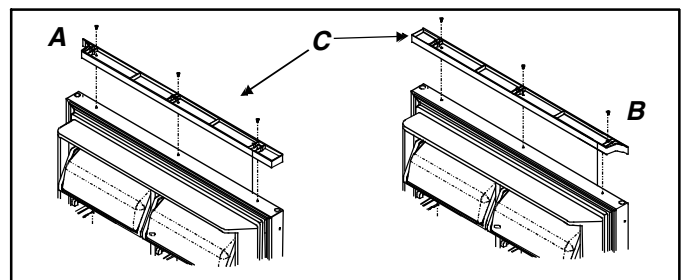
5. Inverser les butées de porte.

- Repérer la butée de porte sur le rebord inférieur de la porte du réfrigérateur et la porte du congélateur. La retirer à l'aide d'un tournevis cruciforme.



A Capuchon de porte
B Vis
C Butée de porte

- Après avoir fixé la poignée du réfrigérateur et les moulures sur la porte du réfrigérateur, enlever la rallonge de porte en plastique située sur le dessus de la porte à l'aide d'un tournevis cruciforme. Retourner la rallonge de porte de façon à ce que le coin doté d'une encoche soit tourné vers l'intérieur de la porte. La remonter à l'aide des vis.

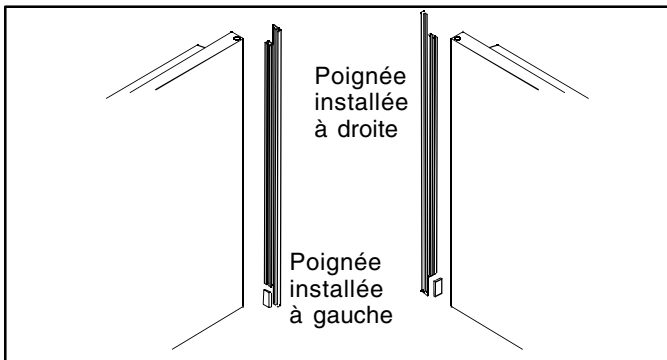


A Tel qu'expédié
B Après l'inversion
C Rallonge de porte en plastique

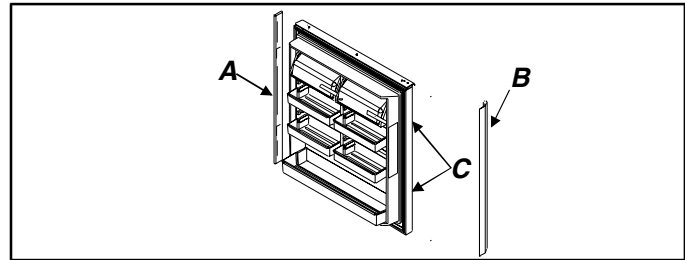
6. Inverser les poignées et la moulure:

- Enlever les vis du capuchon inférieur des portes du congélateur et du réfrigérateur à l'aide d'un tournevis.
- À l'aide d'un maillet en caoutchouc mou, cogner doucement sur le dessous de la poignée vers la partie supérieure de la porte. La poignée glissera vers le haut d'environ $\frac{3}{4}$ po et se dégagera de la porte.
- À l'aide d'un maillet en caoutchouc mou, cogner doucement sur le dessous de la moulure de la charnière de la porte vers la partie supérieure de la porte. La moulure glissera vers le haut d'environ $\frac{3}{4}$ po et se dégagera de la porte.
- Enlever la patte en plastique au haut de la moulure*. Remettre cette patte avec la documentation. Trouver l'autre patte dans la documentation et la placer dans l'encoche à l'extrémité opposée de la moulure.

* Dans le cas des modèles en acier inoxydable, la patte en plastique n'est pas nécessaire. Remplacer la moulure par la moulure expédiée avec l'appareil.



- Remettre le capuchon de porte inférieur en place.
- Fixer la butée de porte en place sous le côté charnière de la porte à l'aide de vis cruciformes.
- Poser la moulure de la charnière en repérant les trous situés à l'intérieur de la moulure (s'assurer que l'attache en plastique fait face à la partie inférieure de la porte). Aligner les trous de la moulure avec les attaches de fixation en métal se trouvant sur le côté opposé de la porte. Faire glisser la moulure vers le bas jusqu'à ce que la pièce se verrouille en place. Cogner doucement sur la moulure avec un maillet en caoutchouc pour s'assurer qu'elle est bien installée.
- Remonter la poignée du côté opposé en plaçant les encoches vers l'intérieur de la moulure de la poignée. Remettre la poignée en place en repérant les trous situés à l'intérieur de la moulure de la poignée. Faire glisser la poignée vers le bas jusqu'à ce qu'elle se verrouille en place. Cogner doucement sur la poignée avec un maillet en caoutchouc pour s'assurer qu'elle est bien installée. L'extrémité de la moulure doit être vis-à-vis le dessus de la porte.

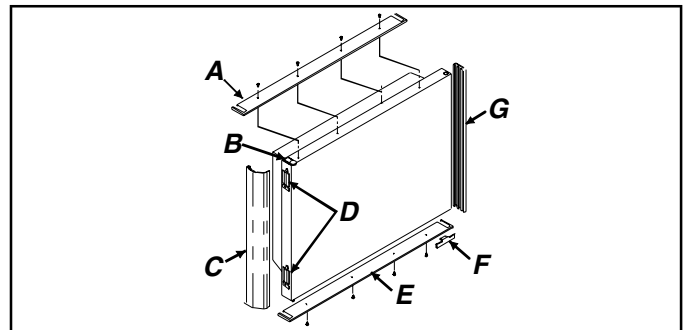


A Moulure
B Poignée de porte du réfrigérateur
C Attaches de fixation

- Fixer le capuchon de porte supérieur sur le dessus de la porte à l'aide de vis.
- Retirer le capuchon de porte supérieur sur le dessus de la porte à l'aide d'un tournevis.
- Transférer l'obturateur du trou de charnière du haut de la porte du congélateur au trou de broche opposé.
- Pour inverser la poignée de porte du congélateur et la moulure, suivre les consignes de l'étape 5.

Remarque: La moulure de la porte du congélateur n'a pas de patte ni de moulure différente pour les modèles en acier inoxydable.

- Remettre le capuchon de porte supérieur en place à l'aide d'un tournevis.



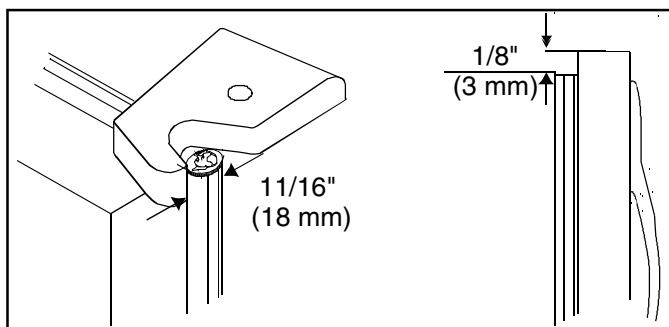
A Capuchon de porte
B Obturateur du trou de charnière
C Poignée
D Attaches de fixation
E Capuchon de porte
F Butée de porte
G Moulure

- Remettre le capuchon supérieur de la porte en place à l'aide d'un tournevis à pointe à six lobes.

7. Remettre les portes en place.

- Accrocher la porte du congélateur en insérant la broche de la charnière inférieure gauche dans le trou de la charnière gauche de la porte du congélateur.
- Reprendre la porte du congélateur en plaçant le trou de la charnière de la porte du congélateur sur la broche de charnière inférieure.
- Tout en soutenant la porte du congélateur en plaçant le trou de la charnière de la porte du congélateur sur la broche de charnière inférieure.
- Serrer la broche de la charnière centrale à l'aide d'un tourne-écrou de $\frac{1}{4}$ po afin de maintenir la porte en place. S'assurer qu'il n'y a aucun jeu.

- Repérer les 3 bouchons dans la partie supérieure de l'appareil. Transférer les bouchons dans les trous laissés vides par le retrait de la charnière.
- Trouver la nouvelle charnière supérieure avec la documentation. Assembler la charnière supérieure, la ou les cales de charnière et la cale de positionnement. Les fixer en place sans serrer du côté opposé de l'appareil afin de permettre un espace de dégagement suffisant pour la porte.
- Mettre la porte du réfrigérateur sur la charnière centrale.
- Tout en soutenant la porte du réfrigérateur, utiliser une pièce de dix cents pour espacer la porte de $\frac{11}{16}$ po (18 mm) de l'appareil. Utiliser les cales en plastique derrière la charnière centrale pour obtenir plus d'espace si nécessaire.
- Le côté de la poignée de porte doit être environ $\frac{1}{8}$ po (3 mm) plus élevé que le côté charnière de la porte. **La porte sera de niveau lorsqu'elle est remplie de nourriture.**
- Serrer toutes les vis de la charnière supérieure pour fixer la porte du réfrigérateur en place. Enclencher le couvre-charnière en place.



8. S'assurer que l'appareil est correctement mis à niveau en suivant les consignes de la rubrique *Mise à niveau du réfrigérateur* en commençant à l'étape trois.

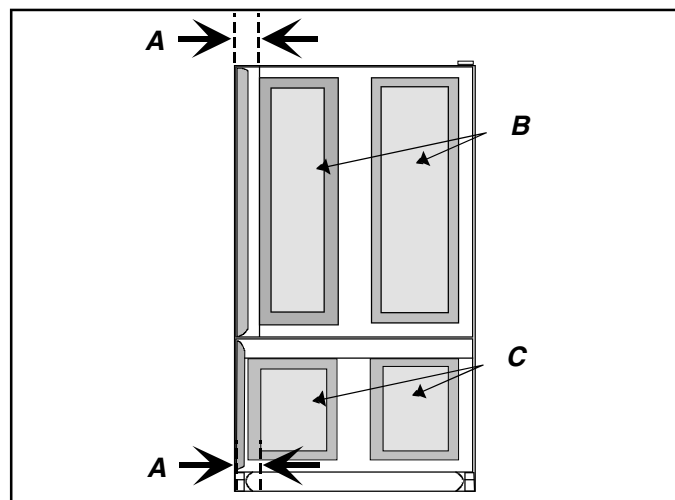
Pose des panneaux décoratifs (certains modèles)



MISE EN GARDE

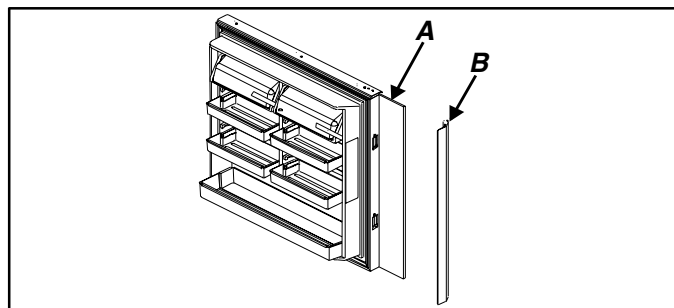
Pour éviter toute blessure corporelle ou tous dégâts matériels, le panneau fresh food ne doit pas peser plus de 30 lb (14 kg) et le panneau congélateur ne doit pas peser plus de 15 lb (7 kg).

Si des panneaux soulevés sont utilisés, laisser un espace de dégagement d'au moins 2 1/2 po entre le rebord soulevé du panneau et la poignée de porte du réfrigérateur.



- A Espace de dégagement minimum de 2 1/2 po entre le rebord du panneau soulevé et le rebord des portes
 B Panneaux décoratifs appliqués ou soulevés 41" x 35 5/8" (104 cm x 90.5 cm)
 C Panneaux décoratifs appliqués ou soulevés 23 11/16" x 35 5/8" (60.2 cm x 90.5 cm)

1. Retirer le capuchon supérieur de la porte et la poignée de porte du réfrigérateur. Faire glisser le panneau dans la rainure créée par le capuchon inférieur de la porte. En replaçant la poignée, pousser le panneau à plat contre la porte et faire glisser la poignée vers le bas de façon à ce que le rebord qui chevauche la poignée glisse par-dessus le panneau pour le tenir en place. Remettre le capuchon de porte en place.



- A Panneau de porte du réfrigérateur
 B Poignée de porte du réfrigérateur

2. Ouvrir la porte à 90 degrés et dévisser le capuchon supérieur de la porte du congélateur. Fermer la porte. Faire glisser la moulure vers l'avant jusqu'à ce qu'elle soit dégagée de la porte. Ouvrir la porte. Retirer la poignée de porte en suivant les consignes de l'étape 5.
3. Faire glisser le panneau dans la rainure créée par le capuchon inférieur de la porte. En replaçant la poignée, pousser le panneau à plat contre la porte et faire glisser la poignée vers le bas de façon à ce que le rebord qui chevauche la poignée glisse par-dessus le panneau pour le tenir en place. Remettre la porte en place à l'aide du capuchon et des vis.



ATTENTION

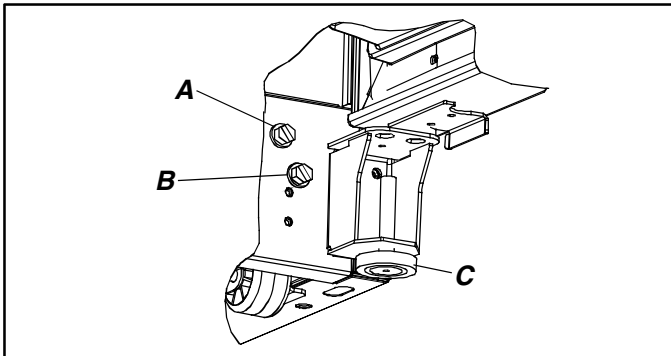
Pour éviter les dégâts matériels, protégez le vinyle souple ou les autres revêtements avec du carton, des tapis ou un autre matériel protecteur lors du déplacement du réfrigérateur.

Mise à niveau du réfrigérateur

Certaines installations exigent que les portes soient inversées afin qu'elles puissent s'ouvrir correctement. Si tel est le cas, référez-vous à la section *Inversion des portes* avant de mettre votre réfrigérateur à niveau.

Si votre réfrigérateur exige un raccordement à l'eau pour l'appareil à glaçons, consultez la section *Raccordement de l'alimentation en eau pour l'appareil à glaçons* avant de mettre le réfrigérateur à niveau.

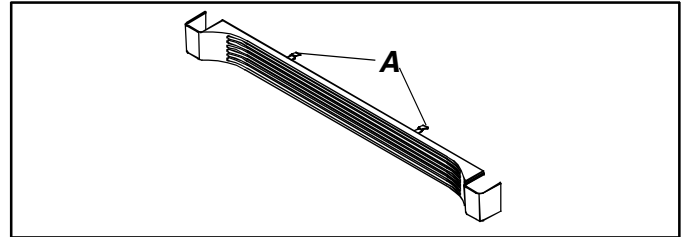
1. Branchez le cordon d'alimentation.
2. Déplacez le réfrigérateur à son emplacement final.
3. Mettez le réfrigérateur de niveau à l'aide d'un niveau placé sur le haut du réfrigérateur.
 - Déplacez la grille en saisissant les deux extrémités et en tirant vers soi. La grille se désenclenche.
 - Les coins gauche et droit de la base de l'armoire avant contiennent chacun deux vis afin de permettre le réglage de chacun des quatre coins. Régler l'avant et l'arrière de chaque coin jusqu'à ce que la mise à niveau soit terminée.



A Réglage du rouleau arrière C Pied de stabilisation*
B Réglage du rouleau avant *certains modèles

- Tournez les vis de réglage du rouleau vers la droite pour lever l'armoire, ou vers la gauche pour la baisser. L'avant du réfrigérateur doit être de $\frac{1}{4}$ po (6 mm) ($\frac{1}{2}$ bulle sur votre niveau) plus haut que l'arrière du réfrigérateur.
- Après la mise à niveau, tournez les pieds de stabilisation (certains modèles) vers la droite jusqu'à ce qu'ils reposent fermement contre le sol.
- Localisez les attaches métalliques fixées à l'intérieur de la grille. Accrochez les attaches

inférieures à l'intérieur de la moulure en métal située sous le congélateur. Appuyez vers l'avant sur la partie supérieure de la grille jusqu'à ce que la partie supérieure s'enclenche.



A Attaches métalliques

Liste de contrôle d'installation

Cette liste de contrôle d'installation est présentée pour usage personnel seulement.

Consommateur Installateur

Portes

- Les poignées sont solidement fixées aux portes.
- Le côté de la poignée de porte est 1/8" (3 mm) plus élevé que le côté de la charnière de la porte. (La porte s'abaisse lorsqu'elle est remplie de nourriture.)
- Les portes sont bien scellées au meuble du réfrigérateur.

Mise à niveau

- Le réfrigérateur est incliné de 1/4" (6 mm) de l'avant vers l'arrière.
- Les pieds de stabilisation adhèrent au sol.
- La grille est bien fixée au réfrigérateur.

Appareil à glaçons (sur certains modèles)

- L'alimentation en eau du réfrigérateur fonctionne.
- Aucune fuite n'est présente dans le raccord entre l'alimentation en eau domestique et le réfrigérateur. (Après 24 heures, le consommateur doit vérifier s'il n'y a pas de fuite dans le raccord.)
- L'appareil à glaçons est prêt à fabriquer des glaçons. (La fabrication du premier lot de glace peut prendre jusqu'à 24 heures.)

Documentation concernant le produit

- Le manuel du propriétaire doit comprendre les renseignements suivants:
 - carte d'enregistrement de l'appareil
 - commandes Aliments frais et DeepFreeze®
 - bac à légumes à humidité contrôlée
 - tiroir à température contrôlée
 - bruits de fonctionnement normaux

Notes _____

Signature du consommateur

Signature de l'installateur

Nom de l'entreprise de l'installateur/
Numéro de téléphone

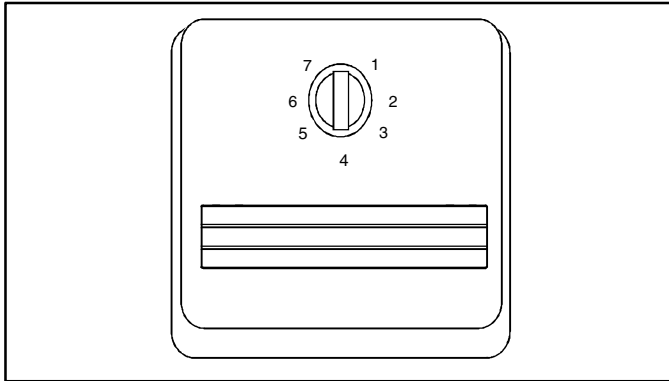
Date

Commandes

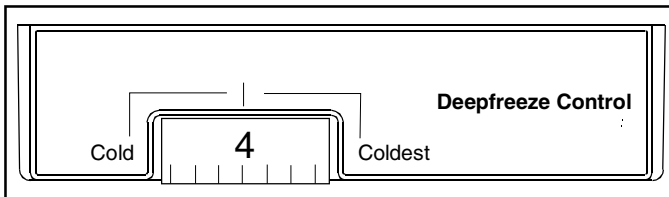
Ce réfrigérateur fonctionne de façon plus efficace lorsque la température ambiante se situe entre 55° et 110°F (13°C à 43°C).

Commandes congélateur et Aliments frais

La commande Aliments frais est située sur la partie arrière supérieure du compartiment Aliments frais.



La commande DeepFreeze® est située sur le plafond avant droit du compartiment DeepFreeze®.



Lorsque la commande DeepFreeze® est en position OFF, ni l'un ni l'autre des compartiments Aliments frais ou DeepFreeze® ne se rafraîchiront. Au départ, régler ces deux commandes sur 4. Attendre 24 heures avant que les compartiments Aliments frais et DeepFreeze® n'aient atteint les températures désirées. Après 24 heures, régler les commandes sur les valeurs désirées. Le réglage le plus chaud est 1 tandis que 7 est le réglage le plus froid.

Réglage des commandes

Régler les commandes avec précision à l'aide d'un thermomètre domestique dont les températures se situent entre -5° et 50°F (-21° et 10°C).

Placer le thermomètre entre les emballages congelés dans le compartiment DeepFreeze®. Attendre 5 à 8 heures. Si la température DeepFreeze® ne se situe pas entre 0° et 2°F (-17° et -16°C), régler la commande, un chiffre à la fois. Vérifier de nouveau après 5 à 8 heures.

Placer le thermomètre dans un verre d'eau au milieu du compartiment Aliments frais. Attendre 5 à 8 heures. Si la température du compartiment Aliments frais ne se situe pas entre 38° et 40°F (3° et 4°C), régler la commande, un chiffre à la fois. Vérifier de nouveau après 5 à 8 heures.

Caractéristiques Aliments frais



ATTENTION

Pour éviter tous dégâts matériels, s'assurer que la clayette est bien installée avant de placer des articles sur celle-ci.

Clayettes Spillsaver™

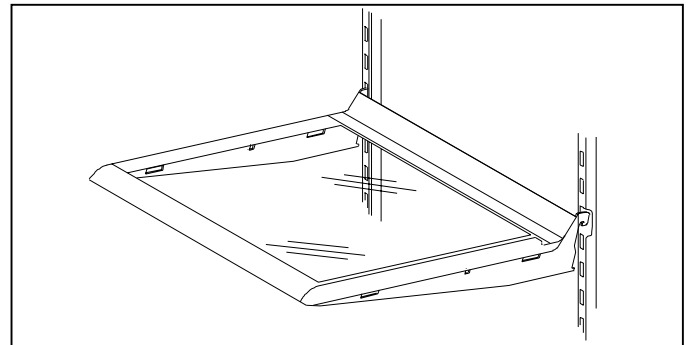
Les clayettes Spillsaver™ sont réglables afin de satisfaire aux besoins individuels de rangement et retenir de simples éclaboussures pour un nettoyage plus facile.



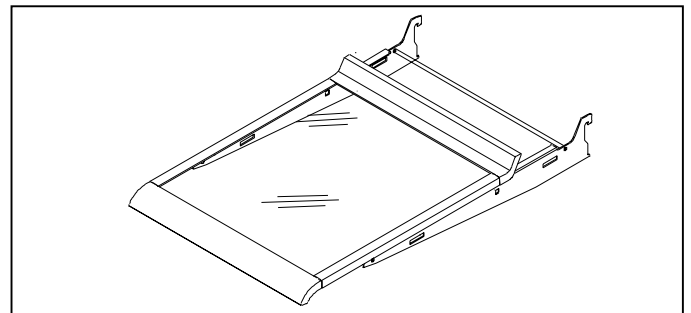
ATTENTION

Pour éviter tous dégâts matériels ou toutes blessures graves, manipuler les clayettes en verre avec soin. Les clayettes peuvent se casser soudainement si elles sont entaillées, égratignées ou exposées à un changement soudain de température.

- Enlever les clayettes en soulevant le devant et en relâchant les crochets de la tringle en métal, puis en tirant.
- Replacer les clayettes en insérant les crochets dans la tringle en métal et en rabaisant le devant.



Les clayettes EasyGlide™ se tirent vers l'avant pour permettre un accès facile aux articles rangés à l'arrière.

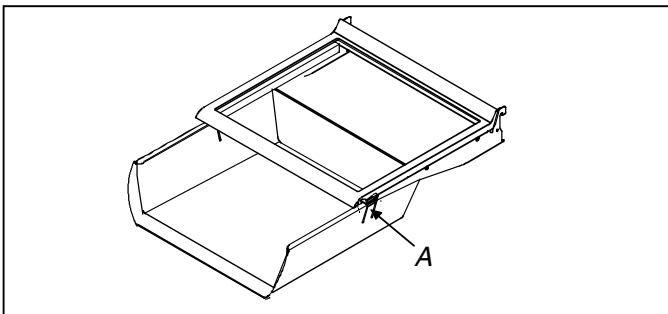


Deli Port™

Deli Port™ est un espace de rangement situé sous la clayette Spillsaver™ et se tire vers l'avant pour un accès facile.

- Enlever la clayette en tirant jusqu'à ce que celle-ci s'arrête. Pousser vers l'intérieur les attaches sur les côtés de la clayette et tirer celle-ci vers l'avant.

- Replacer la clayette en insérant celle-ci dans la tringle et en la glissant vers l'intérieur.



A Attache

Tiroirs

Tiroir pour aliments croquants à humidité contrôlée

L'humidité du tiroir droit est contrôlée. Ce tiroir permet de garder les produits frais plus longtemps. Emballez le produit hermétiquement. Ne pas laver le produit avant de le placer dans le tiroir. Un excès d'humidité pourrait gâter le produit prématurément. Ne pas recouvrir le tiroir de papier essuie-tout, car celui-ci retient l'humidité. La commande servant à régler l'humidité est située en dessous de la garniture de la clayette à l'avant. Elle permet de régler l'humidité dans le tiroir. Glisser la commande vers la droite pour les produits tels que la laitue, les épinards ou le chou. Glisser la commande vers la gauche pour les produits avec une peau tels que le chou-fleur, le maïs ou les tomates.

Tiroir à température contrôlée

La température du tiroir de gauche est contrôlée. Ce tiroir garde les aliments frais plus longtemps et jusqu'à 5°F (3°C) plus froids que la température du compartiment Aliments frais. Utiliser ce tiroir pour le rangement de la charcuterie ou autres produits.

La commande servant à régler la température est située en dessous de la garniture de la clayette à l'avant. Glisser la commande vers la gauche pour la température normale du compartiment Aliments frais et vers la droite pour une température plus froide. Des cristaux de glace peuvent se former sur le tiroir ou la nourriture si le réglage est sur la position la plus froide. L'air froid peut faire diminuer la température du compartiment Aliments frais. La commande Aliments frais doit parfois être réglée. Enlever la clayette et les tiroirs en procédant selon les étapes suivantes.

1. Ouvrir le tiroir de gauche*.
*Ouvrir le tiroir de droite lorsque les charnières des portes sont à gauche.



ATTENTION

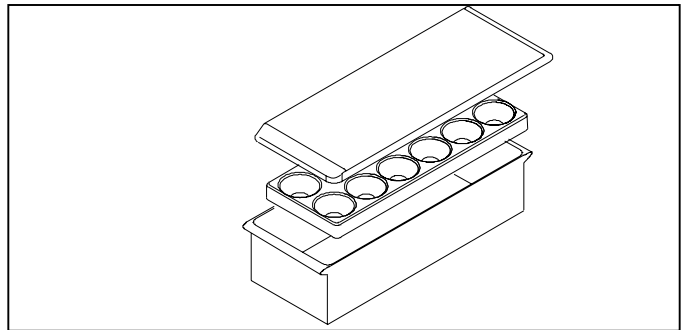
Pour éviter tous dégâts matériels ou toutes blessures corporelles, manipuler les clayettes en verre avec soin. Celles-ci peuvent casser soudainement si elles sont entaillées, égratignées ou exposées à un changement soudain de température.

2. Enlever la clayette en la soulevant doucement vers le haut. Incliner une extrémité vers le haut et tirer.

3. Enlever le tiroir de gauche* en soulevant le devant tout en le tenant par en dessous, puis en tirant.
*Ouvrir le tiroir de droite lorsque les charnières des portes sont à gauche.
4. Enlever le poteau de soutien du renforcement situé dans la partie centrale inférieure du compartiment Aliments frais en le soulevant.
5. Enlever l'autre tiroir pour aliments croquants en le glissant vers la paroi opposée. Soulever le devant tout en le tenant par en dessous, puis en tirant.
6. Replacer les tiroirs et la clayette en inversant les étapes 1-5.

Compartiment de rangement couvert

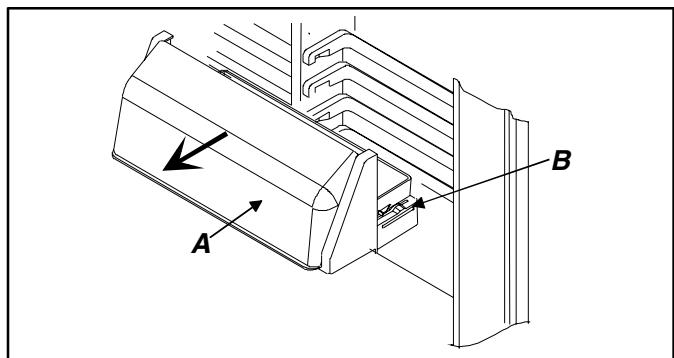
Le compartiment de rangement possède un couvercle et un oeufrier amovible. Lorsque l'oeufrier est enlevé, le compartiment peut contenir des articles tels qu'un carton d'oeufs standard, de la glace, etc.



Casier laitier

Le casier laitier offre un espace de rangement pour des articles tels que le beurre, le fromage, etc.

- Enlever le casier laitier en soulevant la porte, en poussant les attaches vers le centre et en tirant.
- Replacer le casier laitier en le glissant jusqu'à ce que les attaches soient bien verrouillées et en rabaisant la porte.



A Porte

B Patte

Compartiments de porte

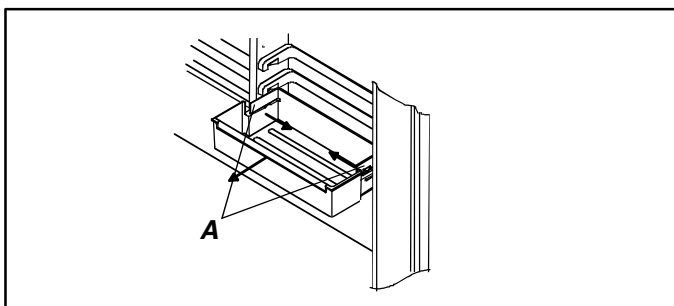
Les compartiments de porte sont ajustables pour s'adapter aux besoins de rangement.

- Enlever les compartiments de porte en poussant les

Caractéristiques congélateur

attaches vers le centre et en tirant.

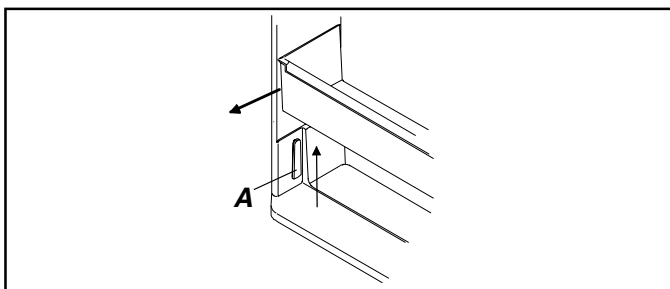
- Replacer les compartiments de porte en les glissant jusqu'à ce que les attaches soient bien verrouillées.



A Attaches

Clayette de porte

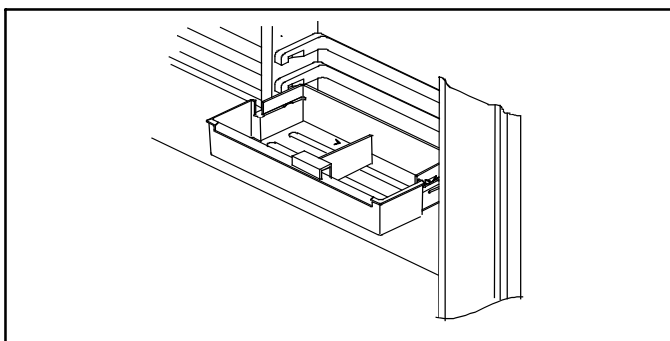
- Enlever la clayette de porte en soulevant les extrémités et en tirant.
- Replacer la clayette de porte en plaçant la clayette sur les glissements et en la faisant glisser vers le bas.



A Glissement

Diviseurs ajustables

Les diviseurs ajustables permettent de garder les articles en place et d'adapter le réfrigérateur aux besoins individuels de rangement. Le diviseur convient à tout compartiment ou clayette de porte Aliments frais.

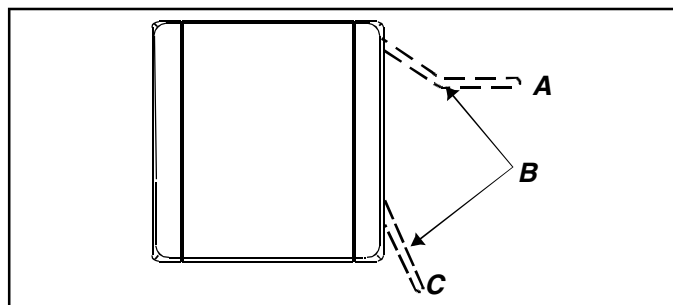


Système auto-dégivrant

Aucune accumulation de glace ne peut se produire dans les compartiments réfrigérateur et congélateur. Le dégivrage est automatique et, dans des conditions d'utilisation normale, les compartiments réfrigérateur et congélateur n'auront jamais besoin d'être dégivrés.

Appareil à glace (certains modèles)

- Vérifier que le bac à glace est bien en place et que le bras-levier de l'appareil à glace est abaissé.



A Position d'arrêt

B Bras-levier de l'appareil à glace

C Position de marche

- Une fois que le compartiment congélateur atteint une température normale, l'appareil à glace se remplit d'eau et commence à fonctionner. Le laisser fonctionner 24 à 48 heures après son installation avant de prendre de la glace. Dans des conditions idéales, l'appareil à glace produit de 7 à 9 récoltes de glace en 24 heures.
- Au fur et à mesure que le bac à glace se remplit, le bras-levier de l'appareil se lève. Quand le bac à glace est plein, le bras-levier de l'appareil arrête la production de cubes de glace.

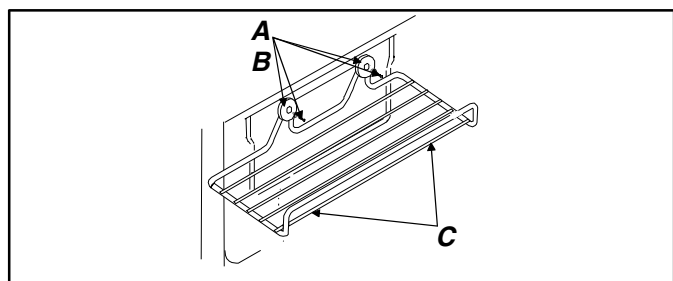
Remarque: Jeter les trois premiers lots de cubes de glace pour éviter la consommation d'impuretés qui ont pu rester dans la conduite après sa pose.

- Si vous souhaitez arrêter la production de glace, levez le bras-levier de l'appareil. Un déclic signalera la bonne position. Le bras-levier de l'appareil restera en position jusqu'à ce qu'il soit rabaissé.

Grille utilitaire à glaçons (certains modèles)

Pour installer la grille utilitaire, procéder comme suit en utilisant un tournevis cruciforme:

1. Mettre la grille utilitaire sur les rondelles et l'abaisser en place.



A Rondelle

B Vis

C Grille utilitaire à glaçons



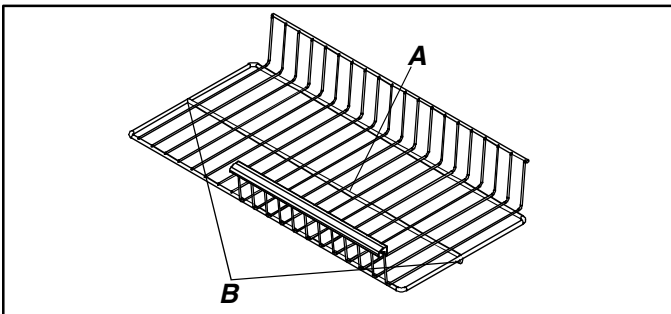
ATTENTION

Pour éviter tous dégâts matériels, s'assurer que la clayette est bien fixée avant de placer des articles sur celle-ci.

Tablette coulissante (certains modèles)

Les tablettes coulissantes se tirent vers l'avant pour faciliter l'accès aux articles placés à l'arrière.

- Retirer la tablette coulissante en la faisant glisser vers l'avant jusqu'à ce que la pointe ronde se trouvant sous la crémaillère centrale s'enclenche dans la rainure de moulage.
- Saisir la tablette par la crémaillère centrale, la soulever, puis la retirer.
- Faire glisser la tablette jusqu'à ce que la pointe ronde se place dans la rainure de moulage.



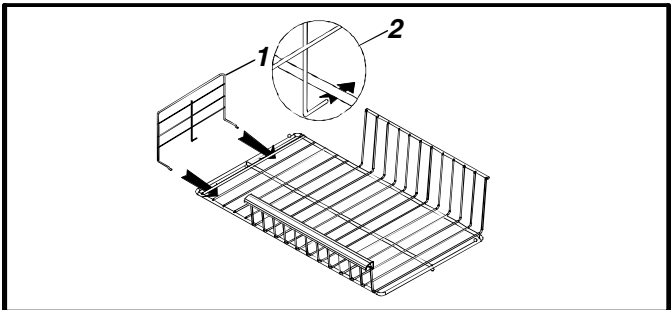
A Crémaillère centrale

B Pointe ronde

Séparateur de tablette vertical (certains modèles)

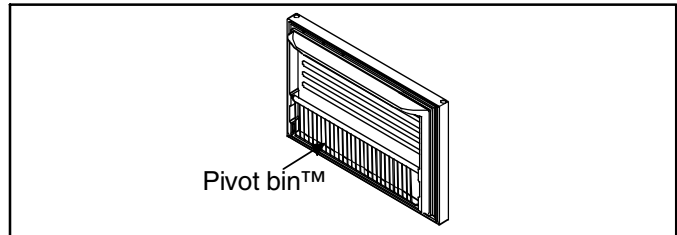
Procéder comme suit pour poser le séparateur de tablette vertical:

1. Faire glisser les pointes du séparateur de tablette sous la grille désirée, légèrement à l'extérieur de l'axe de la crémaillère centrale.
2. Appuyer sur le dessus du séparateur et faire glisser le crochet sous la crémaillère centrale.



Pivot Bin™

Le Pivot Bin™ offre un espace de rangement pratique pour les articles congelés dans la porte congélateur et s'incline facilement vers l'avant pour permettre un accès facile à ces articles.



A Pivot Bin™

Entretien et nettoyage



MISE EN GARDE

Pour éviter tout risque d'électrocution susceptible de causer des blessures corporelles voire le décès, débrancher le réfrigérateur avant de le nettoyer. Le rebrancher lorsque le nettoyage est terminé.



ATTENTION

Pour éviter tous dégâts matériels ou toutes blessures corporelles, lire et suivre toutes les directives du fabricant relativement au nettoyage de l'appareil.

Portes texturées et extérieur

1. Nettoyer les surfaces avec 4 c. à table de bicarbonate de soude dissout dans un litre d'eau tiède et un linge doux et propre.
2. Rincer les surfaces à l'eau tiède et les essuyer avec un linge doux et propre.
 - Ne pas utiliser les articles suivants:
 - produits nettoyants abrasifs ou robustes, ammoniacs, javellisants, etc.
 - détergents ou solvants concentrés
 - tampons à récurer métalliques
 Ces articles peuvent égratigner, craqueler ou décolorer les surfaces.
 - Ne pas placer les compartiments, clayettes, etc. dans le lave-vaisselle

Nettoyage de l'acier inoxydable

La garantie ne couvre pas les dommages causés à la finition en acier inoxydable suite à un usage inadéquat ou non recommandé des produits de nettoyage.

Pour connaître la liste des produits recommandés par Amana, appeler le service aux consommateurs au **1-800-843-0304**, au contactez nous par l'internet au **www.amana.com**.

1. Nettoyer les surfaces avec de l'eau chaude savonneuse et un linge propre et doux ou une éponge.
2. Rincer les surfaces avec de l'eau chaude. Les essuyer avec un linge propre et doux.
 - Ne pas utiliser les produits de nettoyage trop puissants qui suivent :
 - produits de nettoyage acides ou abrasifs (ammoniaque, javellisant, produits à base de vinaigre, etc.)
 - produits de nettoyage à base de citron
 - tampons à récurer (métalliques, en plastique texturé, etc.)Ils peuvent égratigner, décolorer ou ternir les surfaces en permanence.
3. Rincer, puis sécher immédiatement avec un linge propre et doux. Cela évitera que l'eau ne fasse des taches sur la finition en acier inoxydable.

Suppression des odeurs

1. Enlever toute la nourriture.
2. Nettoyer toutes les surfaces intérieures, notamment la partie supérieure, la partie inférieure et les parois conformément aux instructions "générales". Porter une attention spéciale aux coins, fissures et rainures, de même qu'aux tiroirs, clayettes et joints.
3. Nettoyer et essuyer toutes les bouteilles, tous les contenants et les pots avant de remettre la nourriture dans le réfrigérateur. Emballer la nourriture dans des contenants scellés hermétiquement afin de prévenir l'émanation d'odeurs. Après 24 heures, vérifier si l'odeur persiste toujours.

Si l'odeur persiste, procéder de la façon suivante:

4. Recommencer les étapes 1 et 2.
5. Placer les légumes croquants du jardin sur la clayette supérieure du compartiment Aliments frais. Recouvrir les compartiments Aliments frais et congelateur, notamment les portes, avec des feuilles de papier journal noir et blanc chiffonnées.
6. Disposer les briquettes de charbon de bois un peu partout sur le papier journal.
7. Fermer les portes et laisser en place durant 24 à 48 heures.
8. Enlever les briquettes de charbon de bois et les journaux.
9. Recommencer les étapes 2 et 3.

Contactez le service à la clientèle si l'odeur persiste toujours.

Adhésifs

1. Enlever les résidus de colle en frottant l'adhésif avec du dentifrice jusqu'à ce que celui-ci se décolle.
2. Rincer les surfaces à l'eau tiède. Essuyer la surface avec un linge doux et propre.

Joints de porte

1. Nettoyer les joints de porte tous les 3 mois conformément aux instructions "générales".

2. Appliquer une mince couche de gelée de pétrole afin de maintenir la souplesse des joints.

Bobine de condensateur

Nettoyer la bobine de condensateur tous les 3 mois afin d'assurer un rendement maximum du réfrigérateur. La poussière accumulée et les peluches peuvent entraîner les problèmes suivants:

- refroidissement moins efficace
- consommation d'énergie plus élevée
- défaillance de pièce prématurée

1. Enlever la grille en tenant les extrémités et en tirant vers l'avant.
2. Nettoyer la surface avant de la bobine du condensateur avec le suceur d'un boyau d'aspirateur.
3. Replacer la grille en insérant les attaches dans les trous et en les mettant en place avec un claquement.

Clayettes en verre



ATTENTION

Pour éviter tous dégâts matériels ou toutes blessures corporelles, manipuler les clayettes en verre avec soin. Celles-ci peuvent casser soudainement si elles sont entaillées, égratignées ou exposées à un changement soudain de température.

Enlever la clayette en soulevant le devant, en relâchant les crochets de la tringle en métal, puis en tirant. Placer la clayette sur une serviette. Laisser la clayette s'adapter à la température ambiante avant de procéder au nettoyage.

Nettoyer les fentes en suivant ces étapes:

1. Diluer un détergent doux et appliquer la solution à l'intérieur des fentes en brossant celles-ci à l'aide d'une brosse pur sanglier en plastique. Laisser pénétrer durant 5 minutes.
2. Vaporiser de l'eau tiède à l'intérieur des fentes à l'aide d'un vaporisateur conçu à cet effet.
3. Sécher la clayette à fond et replacer celle-ci en insérant les crochets dans la tringle en métal et en rabaisant le devant.

Ampoules électriques



MISE EN GARDE

Pour éviter tout risque d'électrocution susceptible de causer des blessures corporelles voire le décès, débrancher le réfrigérateur avant de remplacer l'ampoule. Le rebrancher lorsque l'ampoule a été remplacée.



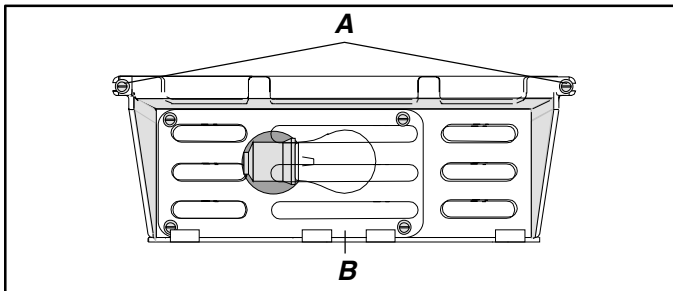
ATTENTION

Pour éviter toutes blessures corporelles ou tous dégâts matériels, veuillez observer les consignes suivantes:

- Laisser l'ampoule refroidir.
- Porter des gants durant le remplacement de l'ampoule électrique.

- Retirez le couvre-ampoule en enlevant les vis à tête hexagonale de ¼ po (6 mm). Insérez une ampoule de 60 watts maximum.

- Remplacez le couvre-ampoule en remettant les vis à tête hexagonale de 1/4 po (6 mm).



A Vis à tête hexagonale de 1/4 po(6mm)

B Couvre-ampoule

Conseils pour économiser l'énergie

Cet appareil est l'un des réfrigérateurs les plus économiques en matière d'énergie sur le marché actuel. La mise en pratique des conseils suivants permet de réduire la consommation d'énergie.

- Faire fonctionner à la température ambiante normale se situant entre 55° et 110°F (13°C à 43°C) loin des sources de chaleur et du soleil.
- Ne pas régler les commandes des tiroirs et des compartiments Aliments frais et DeepFreeze® à une température plus froide que nécessaire.
- Garder le compartiment DeepFreeze® toujours plein.
- Garder les joints de porte propres et flexibles. Remplacer les joints usés.
- Garder les bobines de condensateur propres.

Conseils pour les vacances

Procéder de la façon suivante avant de partir en vacances pour une courte période de temps.

1. Enlever les aliments périssables. **La garantie ne couvre pas la perte de nourriture.** Consulter le certificat de garantie pour connaître la couverture applicable.
2. Si un appareil à glaçons est installé, placer le bras de l'appareil à glaçons en position arrêt.

Procéder de la façon suivante avant de partir en vacances pour une longue période de temps.

1. Vider les compartiments Aliments frais et DeepFreeze®.
2. Débrancher le réfrigérateur.
3. Nettoyer le réfrigérateur et les joints de porte conformément aux instructions "générales" énoncées dans la section "Entretien et nettoyage".
4. Laisser les portes ouvertes afin que l'air circule librement à l'intérieur.
5. Si un appareil à glaçons est installé, fermer l'alimentation en eau du réfrigérateur et déplacer le bras de l'appareil à glaçons à la position arrêt. Ouvrir et bloquer les portes de façon à ce que l'air circule à l'intérieur des compartiments.

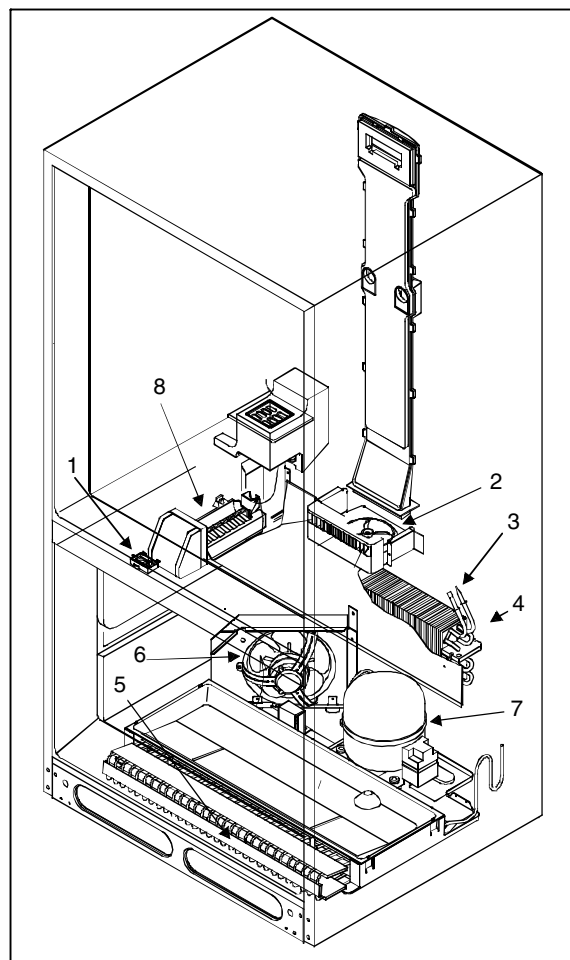
Bruits de fonctionnement normaux

Ce nouveau réfrigérateur remplace probablement un réfrigérateur conçu de façon différente, plus petit et moins efficace. Les réfrigérateurs modernes possèdent de nouvelles caractéristiques et utilisent l'énergie de façon plus efficace. Par conséquent, certains bruits ne sont pas familiers mais le deviendront bientôt car ils sont normaux. Ces bruits indiquent également que le réfrigérateur

fonctionne et offre le rendement attendu.

1. **La commande DeepFreeze®** émet un déclic lorsque le compresseur se met en marche ou s'arrête.
2. **Le ventilateur DeepFreeze®** ronronne ou propulse l'air.
3. Le flux de réfrigérant du **système hermétique** (évaporateur et échangeur de chaleur) gargouille, éclate ou émet le son de l'eau qui bout.
4. **Le dégivreur** grésille, siffle ou éclate.
5. **Le ventilateur du condensateur** ronronne ou propulse l'air.
6. **Le compresseur** émet un son aigu ou un vrombissement.
7. **Les glaçons** fabriqués par l'appareil à glaçons (sur certains modèles) tombent dans le seau à glace.
8. **Le raccord de la soupape d'eau de l'appareil à glaçons** (sur certains modèles) bourdonne lorsque l'appareil à glaçons se remplit d'eau. Cela se produit que le réfrigérateur soit branché ou non à l'alimentation en eau. Si le réfrigérateur n'est pas branché à l'alimentation en eau, le bruit s'arrêtera lorsque le bras de l'appareil à glaçons est soulevé en position arrêt.

Remarque : L'isolant mousse permet d'économiser une grande quantité d'énergie et possède d'excellentes qualités isolantes. Cependant, il n'est pas aussi absorbant que l'isolant en fibre de verre utilisé auparavant.



Avant d'appeler le technicien

Problème	Solution
Le réfrigérateur ne fonctionne pas.	<ul style="list-style-type: none"> • S'assurer que la commande congélateur est en position "on" (marche). • S'assurer que le réfrigérateur est branché. • Vérifier le fusible ou le disjoncteur. Brancher un autre appareil dans la prise de courant. • Attendre 40 minutes pour vérifier si le réfrigérateur se remet en marche. Si la commande congélateur est en marche, et que les lumières fonctionnent mais que les 2 ventilateurs et le compresseur ne fonctionnent pas, le réfrigérateur est probablement en cycle de dégivrage.
Le réfrigérateur ne fonctionne toujours pas.	<ul style="list-style-type: none"> • Débrancher le réfrigérateur. Transférer la nourriture dans un autre réfrigérateur ou verser de la neige carbonique dans le compartiment congélateur pour conserver la nourriture. La garantie ne couvre pas la perte de nourriture. Consulter le certificat de garantie pour connaître la couverture applicable. • Appeler le 1-800-628-5782 à partir des États-Unis et le 1-319-622-5511 de l'étranger pour connaître le technicien agréé par Amana le plus proche.
La température de la nourriture semble trop élevée.	<ul style="list-style-type: none"> • Voir les sections précédentes. • Laisser la nourriture récemment placée dans le réfrigérateur atteindre la température des compartiments Aliments frais et congélateur. • Vérifier si les joints sont fermés hermétiquement. • Nettoyer les bobines de condensateur. • Régler la commande Aliments frais et/ou congélateur.
La température du tiroir à température réglable est trop chaude.	<ul style="list-style-type: none"> • Régler la commande sur une position plus froide. • Régler la commande congélateur sur une position plus froide.
La température de la nourriture est trop froide.	<ul style="list-style-type: none"> • Nettoyer les bobines de condensateur. • Régler la commande Aliments frais. • Régler la commande congélateur sur une température plus chaude. Attendre plusieurs heures afin que la température atteigne le niveau désiré.
Le réfrigérateur fonctionne trop souvent.	<ul style="list-style-type: none"> • Cela est peut être normal afin de maintenir une température constante. • Les portes ont peut-être été ouvertes trop fréquemment ou durant une période temps prolongée. • Laisser la nourriture récemment placée dans le réfrigérateur atteindre la température des compartiments Aliments frais et congélateur. • Nettoyer les bobines de condensateur. • Régler la commande congélateur. • Vérifier si les joints sont fermés hermétiquement.
Des gouttelettes d'eau se forment à l'intérieur du réfrigérateur.	<ul style="list-style-type: none"> • Cela est normal durant les périodes d'humidité intense ou si les portes ont été ouvertes fréquemment.
Des gouttelettes d'eau se forment à l'extérieur du réfrigérateur.	<ul style="list-style-type: none"> • Vérifier si les joints de la porte sont fermés hermétiquement.
Les tiroirs ne se ferment pas facilement.	<ul style="list-style-type: none"> • Vérifier si un emballage empêche le tiroir de fermer correctement. • S'assurer que le tiroir est en place. • Nettoyer les cannelures du tiroir avec de l'eau tiède savonneuse. Rincer et sécher à fond. • Appliquer une mince couche de gelée de pétrole dans les cannelures du tiroir. • S'assurer que le réfrigérateur est de niveau.

Problème	Solution
Une odeur persiste dans le réfrigérateur.	<ul style="list-style-type: none"> • Voir les instructions “<i>Suppression des odeurs</i>” dans la section “<i>Entretien et nettoyage</i>”.
Le réfrigérateur ou l'appareil à glaçons (sur certains modèles) émettent des sons peu familiers ou trop bruyants.	<ul style="list-style-type: none"> • Cela est peut-être normal. Voir la section “<i>Bruits de fonctionnement normaux</i>”.
L'appareil à glaçons (sur certains modèles) ne fabrique pas de glaçons.	<ul style="list-style-type: none"> • S'assurer que le bras de l'appareil à glaçons est tourné vers le bas. • S'assurer que l'alimentation en eau domestique atteint la soupape d'eau. • S'assurer que le faisceau de l'appareil à glaçons est complètement inséré dans les trous appropriés. • Vérifier s'il le tuyau de plastique ou de cuivre comporte des entortillements. Défaire les entortillements ou remplacer le tuyau. • Vérifier les raccords électriques de la bobine de soupape d'eau et du bloc de raccordement sur le meuble du réfrigérateur. • S'assurer que la section congélateur fonctionne à la température appropriée.
Les glaçons dégagent une odeur.	<ul style="list-style-type: none"> • Voir les instructions “<i>Enlèvement des odeurs</i>” dans la section “<i>Entretien et nettoyage</i>”. • Jeter la glace et nettoyer le seau à glace ou les bacs à glaçons plus fréquemment. Les glaçons sont poreux et absorbent les odeurs facilement.
Les glaçons collent les uns aux autres ou “rétrécissent”.	<ul style="list-style-type: none"> • Vider le seau à glace ou les bacs à glaçons plus fréquemment. Si on les laisse trop longtemps dans le congélateur, les glaçons collent les uns aux autres ou rétrécissent.
De la glace se forme dans le tuyau d'entrée de l'appareil à glaçons (sur certains modèles).	<ul style="list-style-type: none"> • Vérifier la pression d'eau. Une pression d'eau trop faible cause des fuites dans la soupape. Les soupapes qui se percent d'elles-mêmes font diminuer la pression d'eau. Amana recommande l'usage d'une soupape cavalière. Appeler le 1-800-843-0304 ou un détaillant Amana pour s'enquérir de la disponibilité de cette soupape. Ne pas utiliser de soupape qui se perce d'elle-même. Amana n'est pas responsable pour les dommages matériels causés par une installation inadéquate ou un raccordement d'eau.

Garantie

Garantie complète d'un an Garantie complète de cinq ans sur les composants du système hermétique et l'habillage du

Première année

Amana Appliances réparera ou remplacera, sans aucun frais, toute pièce s'avérant défectueuse en raison de défauts de matériaux ou vices de fabrication.

Deuxième à cinquième année incluse

Amana Appliances remplacera, sans aucun frais, tout composant du système hermétique (compresseur, condensateur, évaporateur, dryer, et tuyau d'interconnexion) et réparera tout habillage du compartiment pour la nourriture (à l'exception de l'habillage de la porte) venant à être défectueux en raison de défauts de matériaux ou vices de fabrication.

Limites de la garantie

- Commence à la date de l'achat original.
- S'applique à un appareil utilisé aux États-Unis ou au Canada si cet appareil est approuvé par l'Association canadienne de normalisation en quittant l'usine.
- Toute réparation doit être effectuée par un technicien **agréé** par Amana.

La garantie est nulle et non avenue si

- La plaque du numéro de série est illisible.
- L'appareil est utilisé à des fins commerciales ou locatives.
- L'appareil est défectueux ou endommagé en raison d'un accident, d'une altération, d'un raccord à une mauvaise alimentation, d'un incendie, ou d'autres circonstances indépendantes de la volonté d'Amana Appliances.
- L'appareil est utilisé ou installé de façon incorrecte.

Responsabilités du propriétaire

- Fournir une preuve d'achat (récépissé de vente)
- Procéder à l'entretien normal. Remplacer les composants tel qu'indiqué dans le manuel du propriétaire.
- Faciliter l'accès à l'appareil lors des réparations.
- Payer le supplément lorsque le technicien doit procéder à une réparation en dehors des heures d'ouverture normales.
- Payer les frais de visite relativement à l'installation de l'appareil.

En aucun cas Amana Appliances n'est responsable des dommages indirects ou accessoires, notamment la perte de nourriture*.

* Cette garantie vous donne des droits légaux spécifiques et vous pourriez bénéficier d'autres droits qui varient selon l'état ou la province où vous demeurez. Par exemple, certains états ou provinces ne permettant pas l'exclusion ou la limitation des dommages indirects ou accessoires, cette exclusion ne s'applique pas forcément à votre cas.

Amana Appliance L.C.
2800 220th Trail
Amana, IA 52204-0001
1-800-843-0304 ou 1-319-622-5511

